



Code 85194A  
Edition 12/2014

### Contents

1. General precautions	pag 2
2. Transmitters with amplified analog output	pag 2
Standard installation	pag 2
Electrical connections series KS	pag 3
3. Protection for outdoor installations of analog sensors	pag 4
4. Technical specifications	pag 5
5. Safety (content according to IEC/EN 62061 paragraph 7)	pag 6

**This manual is related to KS Series pressure transducer, SIL2 certified according to the standards IEC/EN62061**

## 1. General Precautions

The system must be used only in accordance with the required protection level.

The sensor must be protected against accidental knocks and used in accordance with the instrument's ambient characteristics and performance levels.

The sensors must be powered with non-distributed networks and always at lengths of less than 30 mt.

In case of outdoor installations, follow the instructions in paragraph 3.

## 2. Transmitters with amplified analog output

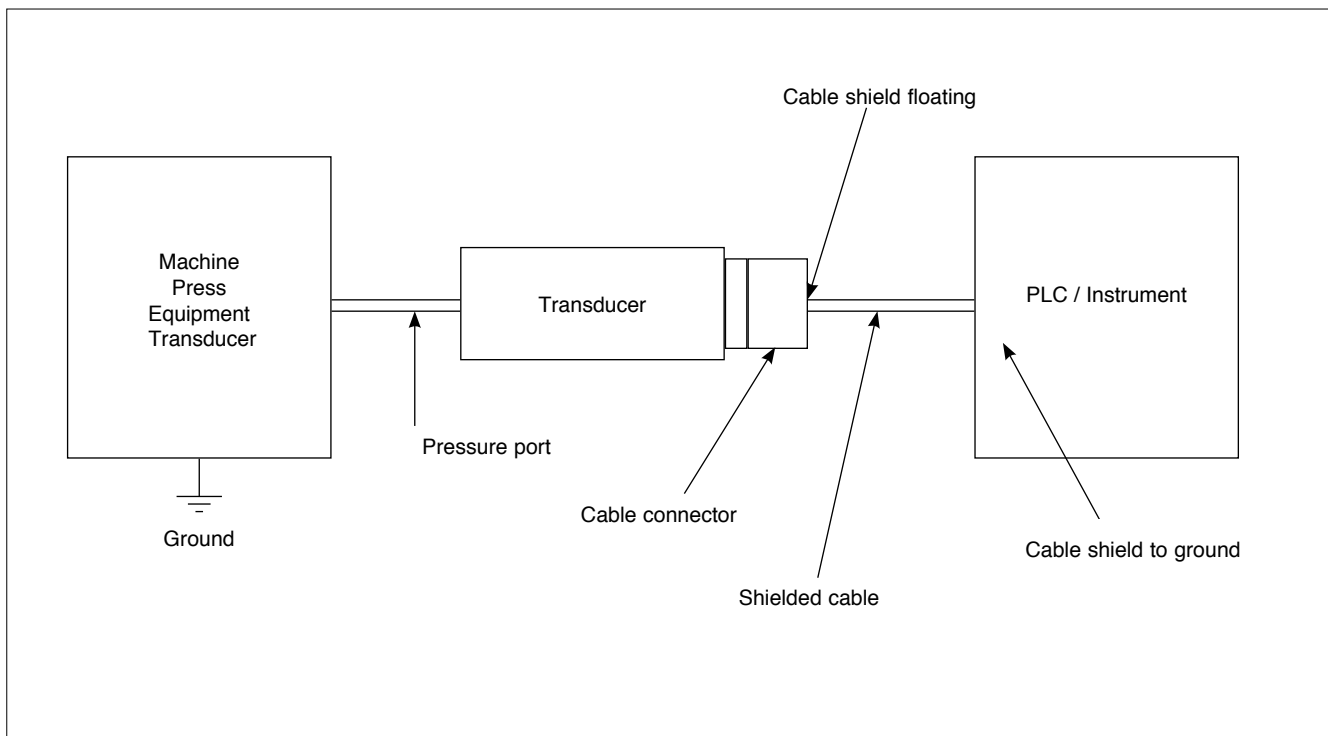
**Transducers:** Serie KS SIL2

**Outputs:** 0.5...10.5V; 0.5...5.5V; 0.1...10.1V; 0.1...10.V; 1...5V; 1...6V; 1...10V; 0.2...10.2V; 4...20mA, ecc...

### Installation remarks

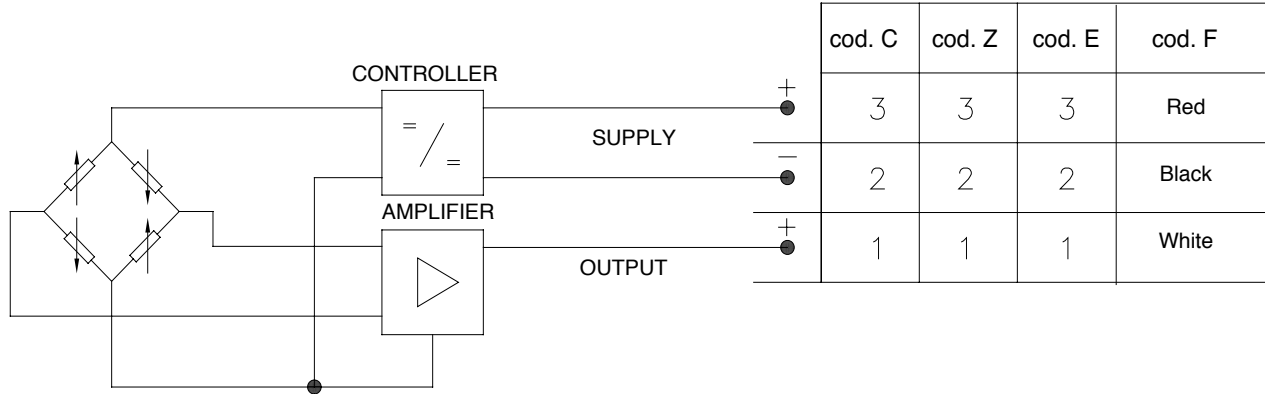
- The transducer must be grounded (normally through the machine body or equipment it is installed on).
- Use a shielded cable only. The cable shield must be grounded on PLC side and left floating on machine side (on KS version with M12 electrical connector it's possible to connect the shield on machine side by leaving floating the PLC side).
- To prevent interference, separate the power cables from the signal cables.

### Standard installation (recommended)

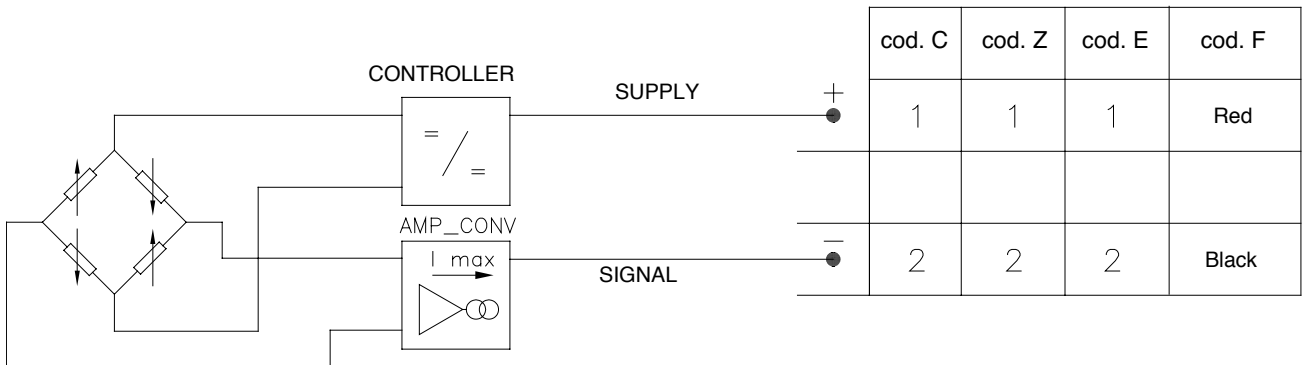


## Electrical connections

### VOLTAGE AMPLIFIED OUTPUT



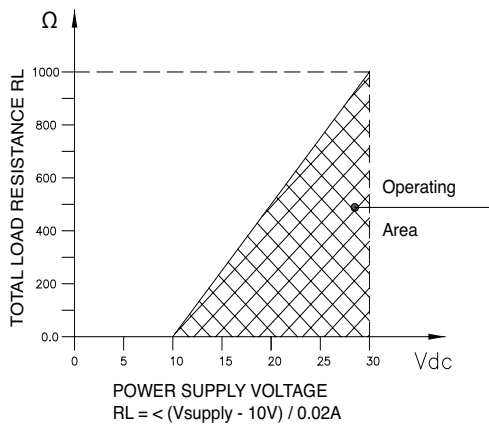
### CURRENT AMPLIFIED OUTPUT - mod. E



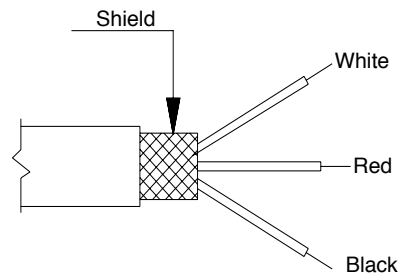
## Interfaces with SRP/CS and voltage devices

The interface with SRP/CS (Safety Related Part of a Control System) is made by mean of multipolar connectors showed on pictures below, where the connections are specified in case of amplified voltage output (3 wire) or current output (2 wire system, the sensor is connected in series with the current loop).

### LOAD DIAGRAM (Current output)

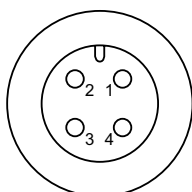


### F – 2/3 pole cable



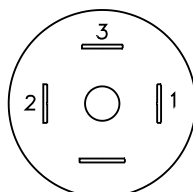
Shielded cable 3x0,25 - 1 m  
Protection IP65

### Z - 4 pole male connector M12 x 1



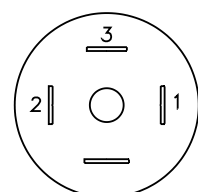
4 pin Male connector serie 713  
Protection IP67

### E - EN 175301-803



4 Pin DIN Type A  
Protection IP65

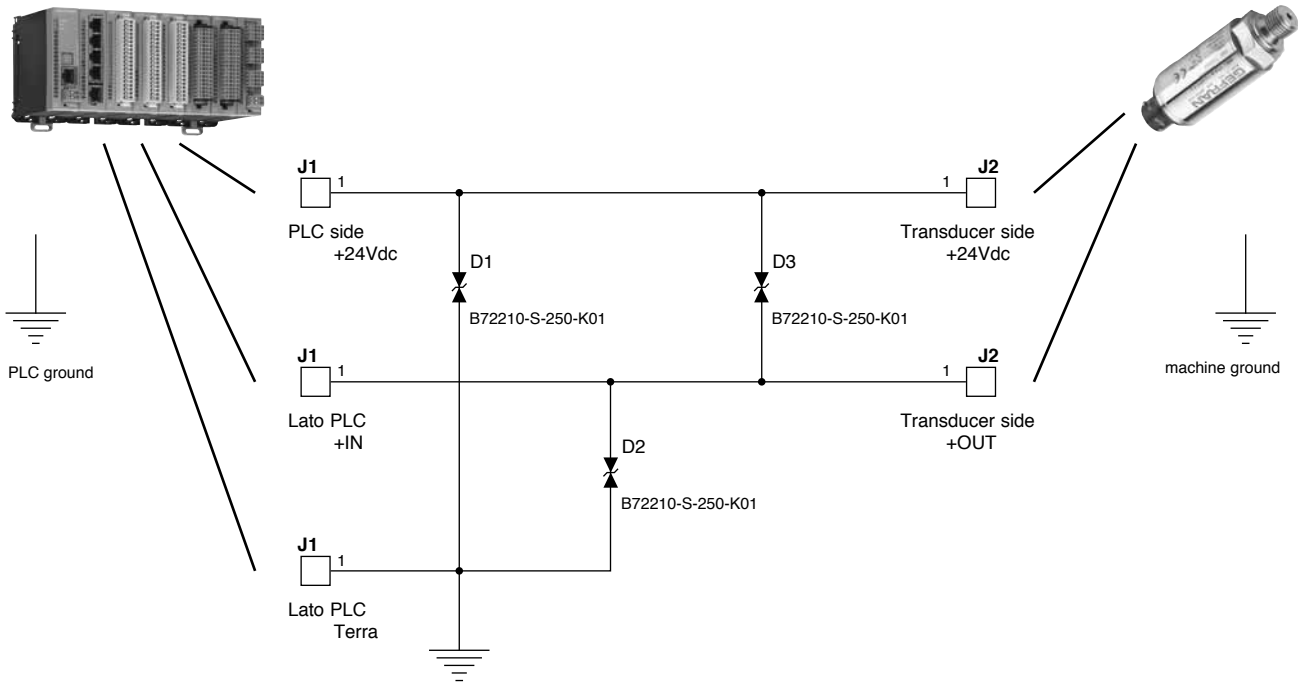
### C – EN 175301-803



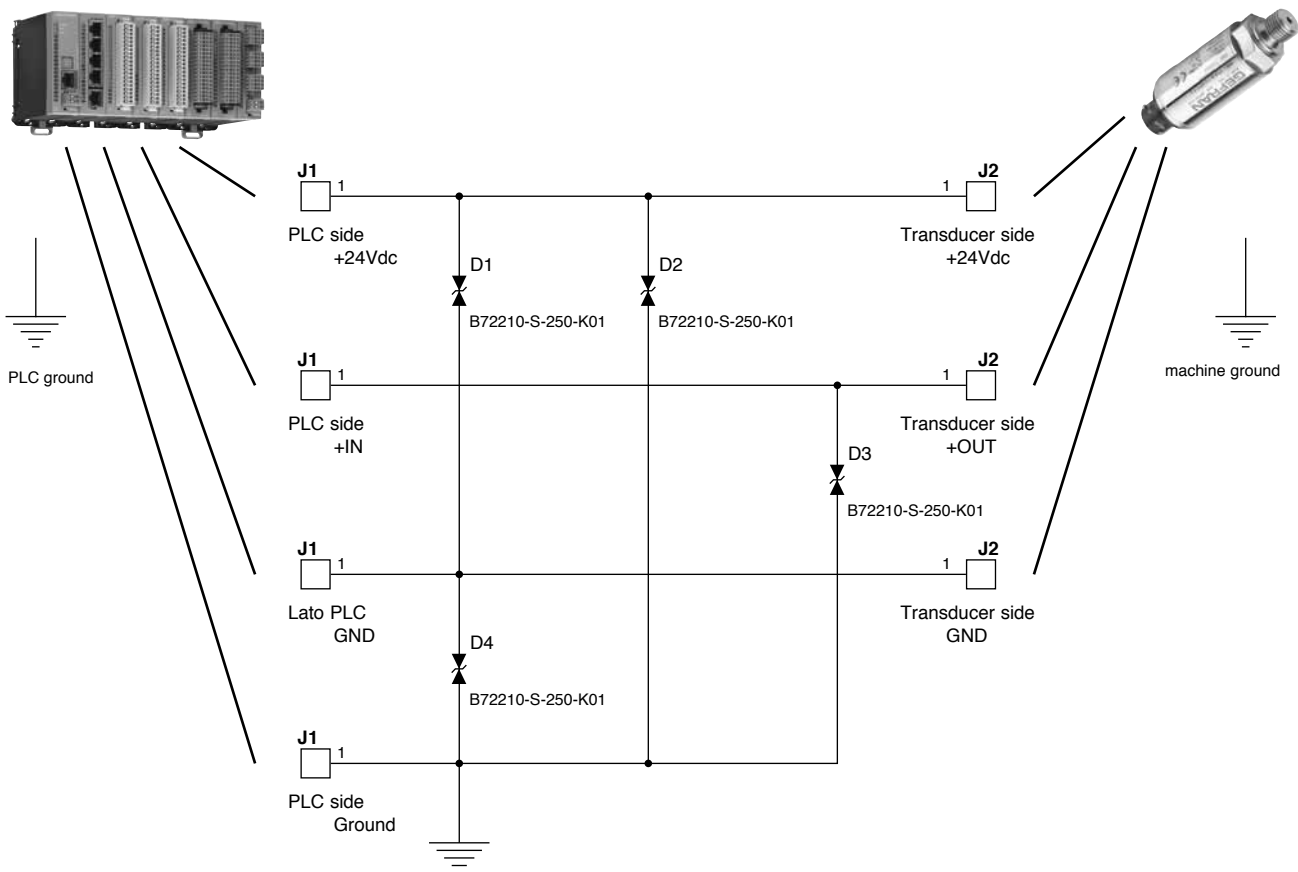
4 pin MicroDIN Tipo C  
Protection IP65

### 3. Protection for outdoor installations of analog sensors

**Pressure / Analog current output  
CAL signals if any do not require protection**



**Pressure / Analog voltage output  
CAL signals if any do not require protection**



## 4. Technical specifications

Output signal	Voltage	Current
Accuracy (1)	< ±0.5% FSO	
Pressure ranges (2)	from 1 bar to 1000 bar (see table)	
Resolution	Infinite	
Overpressure (without degrading performance)	see table below	
Pressure containment (burst test)	see table below	
Pressure Media	Fluids compatible with Stainless Steel AISI 430F and 17-4 PH	
Housing	Stainless Steel AISI 304	
Power supply	15...30Vdc	10...30Vdc
Dielectric strength	250 Vdc	
Zero output signal	0.1V; 0.5V; 1V (*)	4 mA (nominal)
Full scale output signal	5V; 5.5V; 10V; 10.1V; 10.5V (*)	20 mA (nominal)
Max allowed load	2 mA	see load diagram
Long term stability	< 0.2% FSO/per year	
Operating temperature range (process)	-40...+125°C (-40...+257°F)	
Operating temperature range (ambient)	-40...+105°C (-40...+221°F)	
Compensated temperature range	-20...+85°C (-4...+185°F)	
Storage temperature range	-40...+125°C (-40...+257°F)	
Temperature effects over compensated range (zero-span)	± 0.015% FSO/°C typical (± 0.02% FSO/°C max.)	
Response time (10...90%FSO)	< 1 msec.	
Warm-up time (3)	< 30 sec.	
Mounting position effects	Negligible	
Humidity	Up to 100%RH non-condensing	
Weight	80-120 gr. nominal	
Mechanical shock	100g/11msec according to IEC 60068-2-27	
Vibrations	20g max a 10...2000 Hz according to IEC 60068-2-6	
Protections	IP65/IP67 (EN60529)	
Output short circuit and reverse polarity protection	YES	
CE Conformity	EC Directive 2004/108/CE	
Electromagnetic compatibility Emission	EN61326-1/EN61326-2-3	
Lifetime	10 years	

(\*) Other voltage values of Zero and Full Scale available on request.

NOTE: SIL2 certification is available from 0-4 bar range and above

FSO = Full Scale Output

**1** Incl. Non-Linearity, Hysteresis, Repeatability, Zero-offset and Final-offset (acc. to IEC 61298-2)

**2** The operating pressure range is intended from 0.5% to 100% FS

**3** Time within which the rated performance is achieved

Range (bar)	1	1.6	2	2.5	4	6	10	16	20	25	40	60	100	160	200	250	400	600	1000
Overpressure (Bar)	6	6	6	10	10	20	20	32	40	50	80	120	200	320	400	500	800	1200	1200
Burst pressure (Bar)	9	9	9	15	15	30	40	64	80	100	160	240	400	640	800	1000	1500	1500	1500

## 5. Safety (content according to IEC/EN 62061 paragraph 7)

### Restrictions on use

The device in order to remain compliant with the designated category should be used only as indicated in these instructions and as required in the operating manual concerning mechanical installation, electrical connection, environmental conditions and usage limits.

### Maintenance and periodic inspections

Periodic maintenance to carry-out in order to guarantee the justified exclusion of failures are:

- Visual inspection of the status of the electrical and mechanical connections.

The maintenance is designed to evaluate possible problems due to situations of incorrect mounting endured over time or particular aggressiveness of the material processed.

Frequency: every two years

Check obstruction of the channel under pressure

- The maintenance has the purpose to verify that there are no occlusion of the pressure channel, which would lead to malfunctioning.

The inspection is visual, after removing the probe from the process seat.

Frequency: every year.

Testing the sensor calibration

- The test is intended to check the correctness of the transduction curve of the sensor. It's done by applying known pressure points to the transducer and checking the output values of the probe.

Frequency: every four years.

### Indication of response time

The response time to the pressure transduction is equal to 1 ms

### Indications and alarms

The KS Series pressure sensors in the case of some specific anomalies provide output saturation (positive HIGH or negative LOW).

The table 1 indicates the detected failures, their effect on the electrical output, and the recovery mode of the device.

*Table 1: failures, effects on the outputs*

Failure	Current output	Voltage output	
		FS ≤ 6V	FS > 6V
Power supply cable broken	LOW < 3.8mA	LOW < 0.05 V	
Sensor not connected	LOW < 3.8mA	LOW < 0.05 V	
Power supply broken	LOW < 3.8mA	LOW < 0.05 V	
Broken bridge	*LOW < 3.8mA	*LOW < 0.05 V	
	*HIGH > 22mA	*HIGH > 7 V	*HIGH > 11.5 V
(*) variable according to the type of failure			

## Failures and troubleshooting

In case of failures or malfunctions, on Table 2 you can find the most common failures and the means of appropriate search:

Table 2: troubleshooting

Failure	Possible causes	Means of research
The sensor does not feel pressure	Obstruction of pressure channel Fault on electronics output stage	1. Power down and remove the sensor 2. Verify eventual occlusion of the channel under pressure. Clean any residues and material caps
The sensor is in alarm mode type "HIGH"	Bridge broken Detachment of pins Failure on primary element	1. Power down and remove the sensor 2. Check for overheating of electronics housing. Remove the causes of overheating, wait until it cools down and power the sensor. 3. Powered the probe again, if the problem persists, you should send back the probe to Factory for repair.
The sensor is in alarm mode type "LOW"	Power supply cable /connector broken Sensor not connected Sensor not powered Bridge broken	1. Power down and remove the sensor 2. Check that the power supply is connected. If necessary, restore the power supply. 3. Check for continuity between the pins of the connector and the power supply. If necessary, replace the cable and the connector. 4. Check if the power values are within the specifications indicated in this manual. If necessary, replace the power supply. 5. If the problem persists, you should send back the probe to Factory for repair.

### Applications to use the relevant category

The pressure sensors of KS Series may form part of a system for detecting the pressure that, when a threshold value is exceeded, deactivates all the elements of pressure generation, through a control system.

The diagram "A" (Fig. 1) shows a possible application: the sensor detects the pressure and transduces it in an analog electrical signal proportional to the value of the measured value; the SRP / CS compares the signal with the one set as the alarm threshold: in case of exceeding the threshold it shall disable the elements of pressure generation.

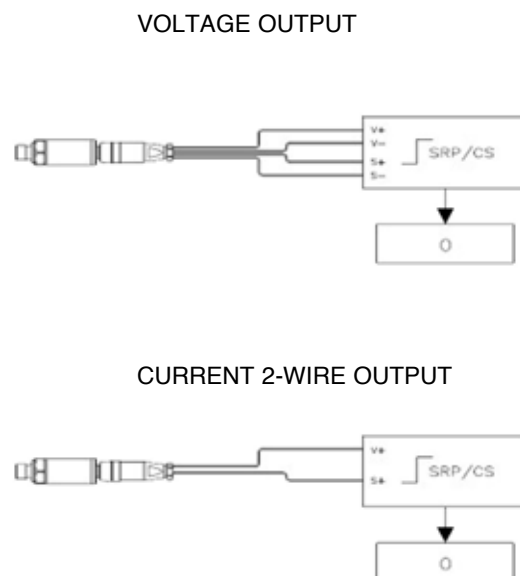


Fig. 1: application diagram A

**GEFRAN**

**GEFRAN spa**  
via Sebina, 74  
25050 PROVAGLIO D'ISEO (BS) - ITALIA  
tel. 0309888.1 - fax. 0309839063  
Internet: <http://www.gefran.com>