



INSTRUCTION MANUAL

cod. 80169 Edit. 05/2014 - ENG

ATTENTION!

This manual is an integral part of the product, and must always be available to operators.

This manual must always accompany the product, including if it is transferred to another user.

Installation and/or maintenance workers **MUST** read this manual and scrupulously follow all of the instructions in it and in its attachments.

GEFRAN will not be liable for damage to persons and/or property, or to the product itself, if the following terms and conditions are disregarded.



The customer must respect trade secrets.

Therefore, this manual and its attachments may not be tampered with, changed, reproduced, or transferred to third parties without **GEFRAN's** authorization.

Gefran Smart HART series → READY-TO-USE GUIDE	4
• READY-TO-USE Using magnetic pen / pin CAL feature	
• READY-TO-USE Using HART Communicator	
• Menu Tree → H Pres Transmitter	5
<hr/>	
1. General Information	6
<hr/>	
2. Acronyms	6
<hr/>	
3. Name coding	7
<hr/>	
4. Mechanical Dimensions	7
<hr/>	
5. Installation and positioning on the machine	8
5.1 Installation seat	8
5.2 Wiring and calibration	11
<hr/>	
6. Sensor Technical Specifications	12
6.1 HWE and HWE P – Technical data	12
6.2 HME and HME P – Technical data	13
6.3 HKE and HKE P – Technical data	14
6.4 HWX and HWX P – Technical data	15
6.5 HMX and HMX P – Technical data	16
<hr/>	
7. Electrical Connections	17
<hr/>	
8. Command modes	19
8.1 Using Magnetic pen and Pin CAL	19
8.2 Using HART communication	21
<hr/>	
9. Safety	27
<hr/>	
10. Safety Manual for Performance Level 'c' sensors (following EN 13849-1)	29
10.1 NE21 and NE43 compatibility specifications (only for PL'c' versions)	35
<hr/>	
11. Safety Notes for applications in potentially explosive atmospheres: HWX-HMX versions	36
<hr/>	
12. Transport, Storage and Disposal	36
<hr/>	
13. Annexes	37
<hr/>	

This Ready-to-Use guide can be used by expert instrumentation operators to configure the transmitter using HART Communication or Autozero/Calibration features through magnetic pen or contacts on output connector. For more full information please refer to the complete manual before operating. The Ready-to-Use procedure with HART is intended for users already familiar with HART Communicator and loop powered equipment.

READY-TO-USE Using magnetic pen / pin CAL feature

Bring the system to the working temperature with the transmitter installed and connected to the measurement instrument without any pressure applied. For a 6 or 8 pin connector version, Pin A is Sig+/Exc+ and pin B is Sig-/Exc-. For conduit output configurations, please look at Electrical Connections chapter. Assure proper loop feeding voltage is applied to transmitter.

The measurement chain connected to the transmitter is calibrated as follows:

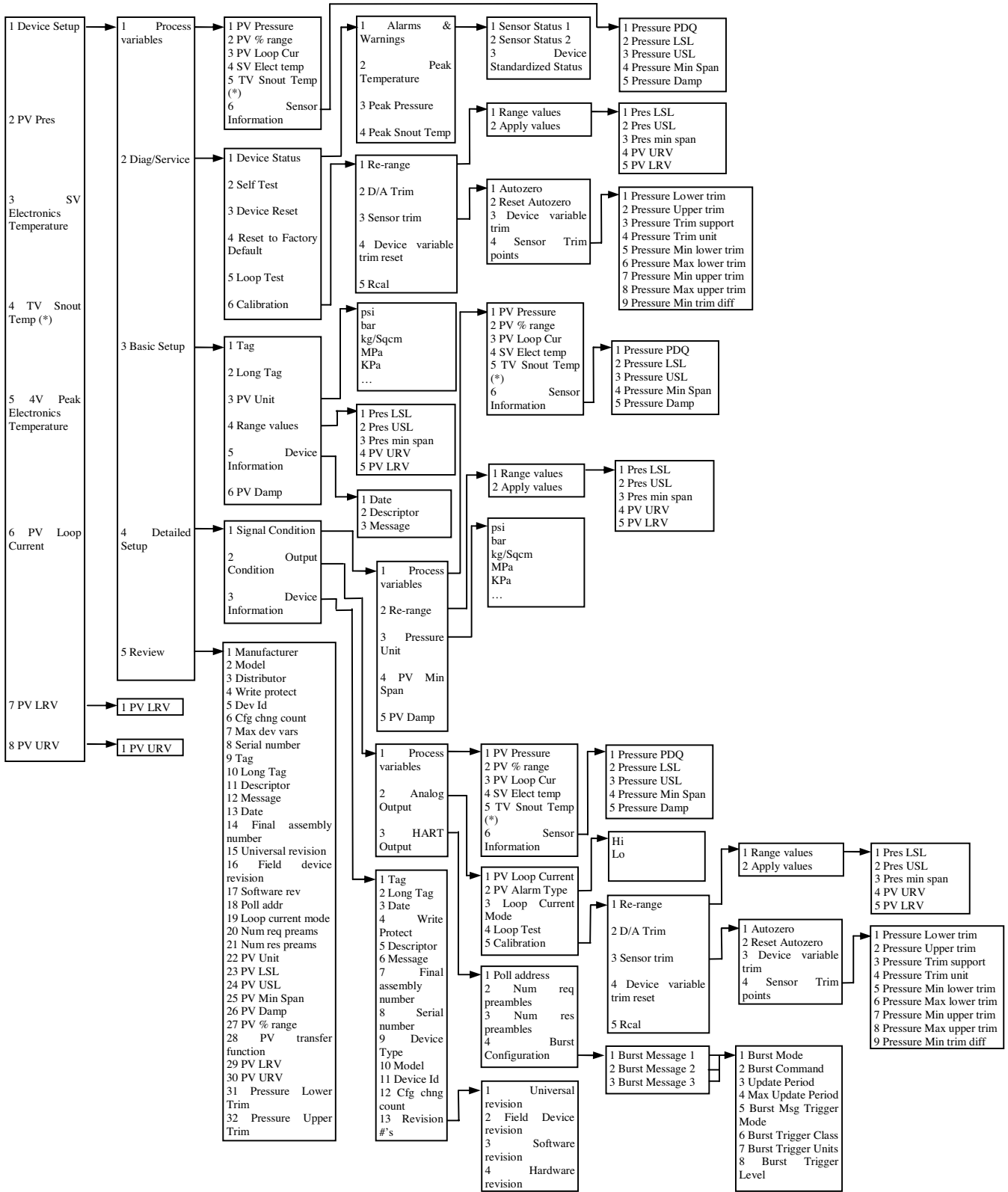
- 1) Reset the offset on the instrument by eliminating the thermal drift with the Autozero function.
With the sensor installed and the extruder at working temperature, wait until the temperature itself is stable, with a possible variation of $\pm 1^{\circ}\text{C}$. Consequently Autozero can be activated.
This allows to compensate all the signal drifts caused by tightening and temperature. Additional Autozero activations could be run once the temperature stability is reached, with $\pm 1^{\circ}\text{C}$ of possible variation.
- 2) Calibrate the instrument activating the CAL function.
The transducer brings its output to the calibration value shown on the transducer data plate (80% of full scale default, if changed with HART command it could be different). With the external Autozero function the calibration procedure is not feasible.
- 3) If the instrument does not exactly indicate zero, repeat points 1) and 2).

READY-TO-USE Using HART Communicator

Bring the system to the working temperature with the transmitter installed and connected to the measurement instrument without any pressure applied.

- 1) Connect Communicator to the loop. In case it's not sure on how to do this, please refer to "Connecting the HART Handheld Communicator" (Figure 8.1).
- 2) Switch on HART Communicator. For reference please refer to HART Command tree on the following page.
- 3) From the main menu:
 - a. Enter Tag (Fast Key 1, 3, 1)
 - b. Set Pressure Units (Fast Key 1, 3, 3), if needed
 - c. Set URV (Fast Key 1, 3, 4) if output turndown (rescaling), is needed
 - d. Perform Autozero (Fast Key 1, 2, 6, 3, 1)
- 4) Check loop output is zero (4mA).
- 5) Remove HART Communicator from loop.

Menu Tree → H Pres Transmitter



(*) Equal to 0 for HM, HW, HK (≠ 0 for HI).

1. General Information

This manual applies to the following products:

HME, HME PL 'c', HWE, HWE PL 'c', HKE and HKE PL 'c' series as well as HMX, HMX PL 'c', HWX, HWX PL 'c' series produced by Gefran spa, via sebina 74 – 25050 Provaglio di Iseo - BS - Italy.

1.1 General information

This manual must be kept near the equipment for easy reading and consultation.

It must be read, understood, and strictly followed in order to avoid and prevent accidents and/or malfunctions. Gefran will not be liable for any injury to people and/or damage to property deriving from disregard of this manual.

1.2 Copyright

Any reproduction of this document, even partial or for internal use, requires Gefran's approval.

1.3 Correct use

Gefran Melt pressure sensors with amplified current output with HART protocol are designed and built to measure the pressure and temperature variable of melted plastic at different temperatures according to the filling fluid used. The correct temperature range is:

- Up to 315°C for HW series (i.e. oil filling fluid)
- Up to 400°C for HM series (i.e. mercury filling fluid)
- Up to 538°C for HK series (i.e. Na-K filling fluid)

If the sensors are used as a safety component in compliance with the Machinery Directive, it's necessary to read carefully the "Safety Manual" (chapter 9, pag 27).

In case the sensors are used for applications in potentially explosive atmospheres, please read carefully (chapter 11, pag 36).

2. Acronyms

The following acronyms are frequently used:

BFSL	Best Fit Straight Line
DD	Device Descriptor
EEPROM	Electrically Erasable Programmable Read Only Memory
FSO	Full Scale Output
HART	Highway Addressable Remote Transducer
LRV	Lower Range Value
PT	Pressure Transmitter
PV	Primary Variable (Pressure)
RTD	Resistance Temperature Detector (A very accurate temperature sensor)
SV	Secondary Variable (Electronics Temperature)
TV	Tertiary Variable (Snout Temperature)
URV	Upper Range Value
Watchdog	An internal timing control for the electronics

3. Name coding

HWE	Hart Oil Filled Melt Pressure Transducer
HWX	Hart Oil Filled Melt Pressure Transducer Atex Certified
HWE P	Hart Oil Filled Melt Pressure Transducer PL 'c' Certified
HWX P	Hart Oil Filled Melt Pressure Transducer Atex and PL 'c' Certified
HME	Hart Mercury Filled Melt Pressure Transducer
HMX	Hart Mercury Filled Melt Pressure Transducer Atex Certified
HME P	Hart Mercury Filled Melt Pressure Transducer PL 'c' Certified
HMX P	Hart Mercury Filled Melt Pressure Transducer Atex and PL 'c' Certified
HKE	Hart NaK Filled Melt Pressure Transducer
HKE P	Hart NaK Filled Melt Pressure Transducer PL 'c' Certified

Gefran Melt sensors are pressure/temperature transmitters designed for use in high temperature environments. They read media pressure up to a temperature of 538°C, and resist such high temperatures thanks to their special mechanical construction, in which the measurement element is isolated from the Melt.

The constructive principle is based on hydraulic transmission of pressure; mechanical strain is transferred by means of a non-compressible transmission liquid.

The liquid used in these sensors may be mercury (i.e. HM series), FDA-approved oil (i.e. HW series) or NaK (i.e. HK series). Strain gauge technology translates the physical quantity (pressure) into an electrical signal. Four different designs are available: rigid rod, flexible sheathing, flexible plus thermocouple, and exposed tip. Gefran Melt sensors satisfy all installation and field requirements.

The sensors can read an extremely wide range of pressures: from a version with minimum range of 0-17 bar up to a version with a scale of 0-2000 bar.

All models in the catalog can be supplied in two different classes of accuracy: class M, with accuracy of 0.5% FSO, and class H, with accuracy of 0.25% FSO. Atex and Performance Level 'c' certified versions are available.

For all the other details and technical features please keep as reference the product datasheets or Gefran website www.gefran.com.

4. Mechanical Dimensions

For the mechanical dimensions please keep as reference the product datasheets or Gefran website www.gefran.com

5. Installation and positioning on the machine

TECHNICAL DATA

Extrusion processes require very high temperatures. Extrusion pressure can be checked by means of especially designed transducers.

Thanks to their special mechanical construction, in which the measurement element is isolated from the Melt, they resist to such high temperatures. The constructive principle is based on hydraulic of pressure; mechanical strain is transferred by means of a non-compressible transmission liquid.

Strain gauge technology translates the physical quantity (pressure) into an electrical signal.

Following advice for extending the sensors lifetime.

a) Avoid shocks and abrasions to the in contact diaphragm. Protect the transducer with its cover each time you remove it from its seat.

b) The seat must be prepared perfectly and with appropriate tools in order to respect the depth and axiality of the holes and tapping.

Pay particular attention to the coaxiality of the holes to the thread, because diaxialities greater than 0.2 mm will break the transducer during assembly.

It is essential that hole depth guarantees the absence of chambers or air pockets in which extrusion material may be trapped.

To prevent contact with the extrusion screw or with tools used to clean the extrusion chamber, the front diaphragm must not extend from the inner wall of the extruder.

c) Before assembling the transducer in machines already in operation, make sure that the housing is clean. Remove any residual with the suitable cleaning device.

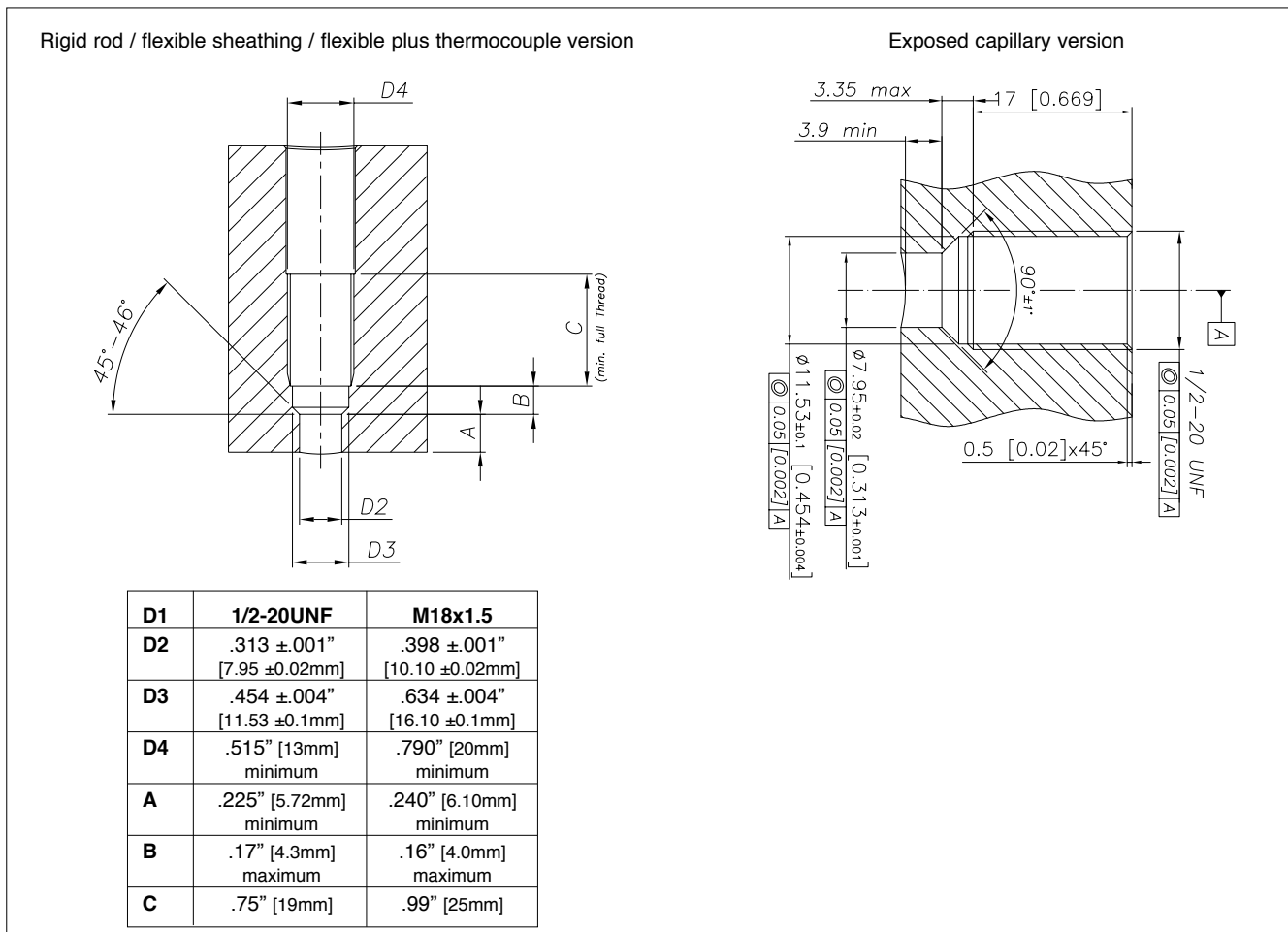
d) The transducer should be removed only with the machine empty (without pressure) but still hot.

e) The transducer should be cleaned with solvents for the material being processed.

Any mechanical action on the contact diaphragm modifies its operation and could break it.

5.1 - Installation seat

The installation seat has to be realized:



Incorrect working or shape of the side can result in properties out of specification, bad behaviour or damage to the sensor.

The side should be clean and without any polymer residual.

Drilling kit

A drilling kit with formed tools for drilling, reaming and tapping is available to facilitate correct preparation of the assembly seat. The assembly seat must be perfect to assure proper transducer function and long lifetime. Drilling kits are available in the following versions: **KF12, KF18**.

Drilling procedure

- 1) To drill hole (D4) up to a distance from the hole equal to the sum of (A+B+C) (tool 3).
- 2) Make the pass through hole (D2) by the tool 1.
- 3) To create the seal seat at a distance from the hole equal to dimension (A) (tool 4).
- 4) With a roughing tap, create threading 1/2-20UNF-2B (recognizable from the greater number of threads beveled at the mouth) (tool 5).
- 5) With a finishing tap, go over threading 1/2-20UNF-2B up to a distance from the bottom equal to the sum of (A+B) (tool 6).
- 6) To ream the hole (D2) with reamer (tool 2).


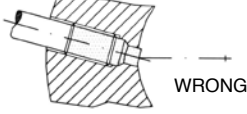

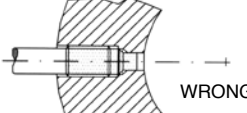

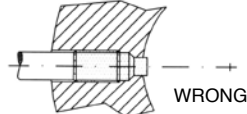

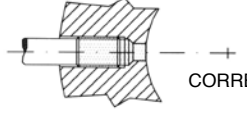




Installation seat check

The dimensions of the assembly seat have to be checked after preparation and before the transducer installation.

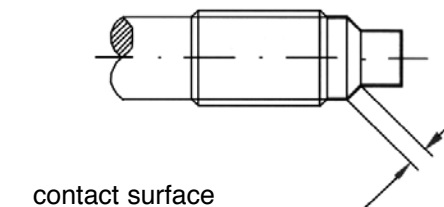
Use dummy plug SC 12/18 as follows:

- 1) Coat the end of the rod with the appropriate ink.
- 2) Lubricate the threaded part to prevent friction.
- 3) Insert the dummy plug and screw it fully down.
- 4) Remove the rod and examine it.

With the exception of 45° surfaces, the ink should be intact on the entire surface.

DRILLING TOOL KIT			CORRECT INSTALLATION	
VERSION CODE		KF12	KF18	
THREADING TYPE		1/2-20UNF-2B	M18x1.5	
1		Ø 7.6	Ø 9.75	 WRONG
2		Ø 7.95	Ø 10.1	 WRONG
3		Ø 13	Ø 20	 WRONG
4		Ø 11.5 with pilot guide	Ø 16 with pilot guide	 WRONG
5		1/2-20UNF-2B roughing	M18x1.5 roughing	 WRONG
6		1/2-20UNF-2B finishing	M18x1.5 finishing	 CORRECT

CORRECT SEAL



TRANSDUCER INSTALLATION

Installation procedure

- 1) Make sure the drilling procedure has been realized correctly. If the sensor is installed in a previously used hole, make sure the hole is completely clean and free of any plastic residual.
- 2) Remove the protective cap from the sensor tip.
- 3) Lubricate the thread with non-grip grease such as Neverseez (Bostik), or C5A (Felpro), or equivalent.
- 4) Insert firmly the sensor into the hole, first by hand and then with a wrench, 1/4 turn at a time.
Recommended torque: 50 Nm, the maximum is 56.5 Nm.

Removal (Figure 1)

To remove the transducer from its seat and carry on the working process, dummy plugs with identical mechanical dimensions are available.

The dummy plugs differ by type of threading; max pressure range is 2000 bar for all rods.

The dummy plugs are available in the following versions: **SC12** 1/2-20UNF seat - **SC18** M18x1,5 seat.

Brackets (Figure 2)

Models with flexible sheaths require the housing precise fixing. Suitable fastening brackets (SF18) are recommended.

Remember that the fastening point must be vibration-free (vibrations affect the measurement) and that temperatures must not exceed the maximum temperature range for the strain gauge housing (as stated on the sensor technical sheet).

Extruder starting

Bring the system to working temperature with the transducer installed and without any pressure applied.

Wait until all the material is at the same temperature to prevent the transducer damage by semi-solid material.

Seat cleaning & Cleaning tool

As mentioned in the notes, the seat must be cleaned before the transducer installation.

The cleaning tool is a hard metal cutting tool specially designed to remove working materials residuals.

Recommended procedure (Figure 3)

The following procedure must be implemented with the material in a fluid condition.

- 1) Insert the tool in the seat and screw down the cutting rod (normally a 1/4 turn at a time).
- 2) Turn the pilot cutter clockwise until there is no resistance to cutting.
- 3) Repeat the procedure until the seat is completely clean.

For constructive reasons, the maximum torque applicable to the cutter is 15 Nm (1.5 Kgm).

If the hole occlusion requires higher torque for removal, use the drilling kit and follow the recommended procedure.

The cleaning tool is available in the following versions: **CT12** 1/2-20UNF seat - **CT18** M18x1,5 seat.

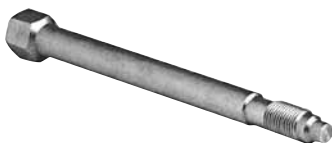


Figure 1



Figure 2

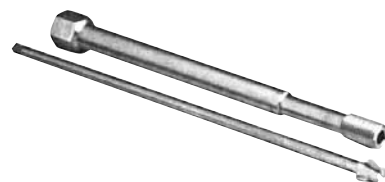


Figure 3

ORDER CODES FOR TOOLS and ACCESSORIES

MOUNTING BRACKET		SF 18	DUMMY PLUG		SC
1/2-20UNF	12	CT	1/2-20UNF	12	□
M18x1,5	18		M18x1,5	18	
CLEANING TOOL KIT		□	DRILL KIT		KF
1/2-20UNF	12		1/2-20UNF	12	□
M18x1,5	18	M18x1,5	18		

Connections

The sensors have to be connected as shown in the diagram at chapter 7.

To obtain a higher immunity from field noise, connect the cable shield to the female connector case on sensor side.

Calibration procedure using the magnetic pen/Pin CAL

Bring the system to the working temperature with the transmitter installed and connected to the measurement instrument without any pressure applied.

The measurement chain connected to the transmitter is calibrated as follows:

- 1) To reset the offset on the instrument by eliminating the thermal drift with the autozero function.
With the sensor installed and the extruder at working temperature, wait until the temperature itself is stable, with a possible variation of $\pm 1^{\circ}\text{C}$. Consequently Autozero can be activated.
This allows to compensate all the signal drifts caused by tightening and temperature.
Additional Autozero activations could be run once the temperature stability is reached, with $\pm 1^{\circ}\text{C}$ of possible variation.
- 2) Calibrate the instrument activating the CAL function. The transducer brings its output to the calibration value shown on the transducer data plate (80% of full scale default, if changed with HART command it could be different).
With the external Autozero function the calibration procedure is not feasible.
- 3) If the instrument does not exactly indicate zero, repeat points 1) and 2).
In this way, the instrument is calibrated to give the exact indication in the chosen engineering unit.

Calibration procedure using HART communication

Bring the system to the working temperature with the transmitter installed and connected to the measurement instrument without any pressure applied.

- 1) Connect Communicator to the loop. In case it's not sure on how to do this, please refer to "Connecting the HART Handheld Communicator" (Fig. 8.1).
- 2) Switch on HART Communicator. Please refer to HART Command tree on Ready-to-Use guide.
- 3) From the Main Menu:
 - a. Enter Tag (Fast Key 1, 3, 1)
 - b. Set Pressure Units (Fast Key 1, 3, 3), if needed
 - c. Set URV (Fast Key 1, 3, 4) if output turndown (rescaling), is needed
 - d. Perform Autozero (Fast Key 1, 2, 6, 3, 1)
- 4) Check loop output is zero (4mA).
- 5) Remove HART Communicator from loop.

6. Sensor Technical Specifications

6.1 HWE/HWE P – Technical data

Accuracy (1)	H $\leq \pm 0.25\%$ FSO (100...1000 bar) M $\leq \pm 0.5\%$ FSO (17...1000 bar)
Resolution	16 bit
Measurement range	0..17 to ... 0..1000bar 0..250 to 0..15000psi
Rangeability	3:1
Maximum overpressure (without degrading performances)	2 x FS 1.5 x FS above 500bar/7500psi
Measurement principle	Extensimetric
Power supply	13...30Vdc
Maximum current absorption	23mA (40mA with relay optional)
Output signal Full Scale (FSO)	20mA
Zero balance (tolerance $\pm 0.25\%$ FSO)	4mA
Calibration signal	80% FSO
Power supply polarity reverse protection	Yes
Compensated temperature range housing	0...+85°C
Operating temperature range housing	-30...+85°C
Storage temperature range housing	-40...+125°C
Thermal drift in compensated range: Zero / Calibration / Sensibility	$< 0.02\%$ FSO/°C
Diaphragm maximum temperature	315°C / 600°F
Zero drift due to change in process temperature (zero)	< 0.04 bar/°C
Standard material in contact with process medium	Diaphragm: • 17-7 PH corrugated diaphragm with GTP coating Stem: • 17-4 PH
Thermocouple (model HWE2)	STD: type "J" (isolated junction)
Protection degree (with 6-pole female connector)	IP65
FSO = Full scale output (1) BFSL method (Best Fit Straight Line): includes combined effects of Non-Linearity, Hysteresis and Repeatability.	

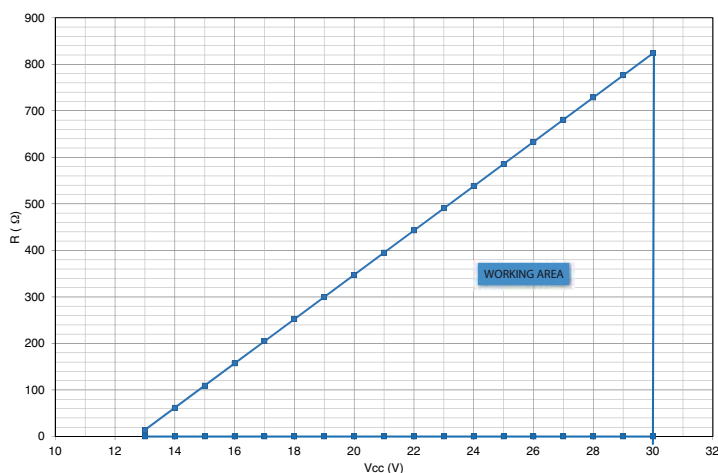
6.2 - HME/HME P – Technical data

Accuracy (1)	H $\pm 0.25\% \text{FSO}$ (100...2000 bar) M $\pm 0.5\% \text{FSO}$ (17...2000 bar)
Resolution	16 bit
Measurement range	0..17 to 0..2000bar 0..250 to 0..30000psi
Rangeability	3:1
Maximum overpressure (without degrading performances)	2 x FS 1.5 x FS above 1000bar/15000psi
Measurement principle	Extensimetric
Power supply	13...30Vdc
Maximum current absorption	23mA (40mA with relay optional)
Output signal Full Scale (FSO)	20mA
Zero balance (tolerance $\pm 0.25\%$ FSO)	4mA
Calibration signal	80% FSO
Power supply polarity reverse protection	Yes
Compensated temperature range housing	0...+85°C
Operating temperature range housing	-30...+85°C
Storage temperature range housing	-40...+125°C
Thermal drift in compensated range: Zero / Calibration / Sensibility	< 0.02% FSO/°C
Diaphragm maximum temperature	400°C / 750°F
Zero drift due to change in process temperature (zero)	< 0.02 bar/°C
Standard material in contact with process medium	Diaphragm: <ul style="list-style-type: none"> • 15-5 PH with GTP coating • 17-7 PH corrugated diaphragm with GTP coating for ranges < 100 bar (1500psi) Stem: <ul style="list-style-type: none"> • 17-4 PH
Thermocouple (model HME2)	STD: type "J" (isolated junction)
Protection degree (with 6-pole female connector)	IP65
FSO = Full scale output (1) BFSL method (Best Fit Straight Line): includes combined effects of Non-Linearity, Hysteresis and Repeatability.	

6.3 - HKE/HKE P – Technical data

Accuracy (1)	H $\leq \pm 0.25\% \text{FSO}$ (100...1000 bar) M $\leq \pm 0.5\% \text{FSO}$ (17...1000 bar)
Resolution	16 bit
Measurement range	0..17 to ... 0..1000bar 0..250 to 0..15000psi
Rangeability	3:1
Maximum overpressure (without degrading performances)	2 x FS 1.5 x FS above 700bar/10000psi
Measurement principle	Extensimetric
Power supply	13...30Vdc
Maximum current absorption	23mA (40mA with relay optional)
Output signal Full Scale (FSO)	20mA
Zero balance (tolerance $\pm 0.25\% \text{ FSO}$)	4mA
Calibration signal	80% FSO
Power supply polarity reverse protection	Yes
Compensated temperature range housing	0...+85°C
Operating temperature range housing	-30...+85°C
Storage temperature range housing	-40...+125°C
Thermal drift in compensated range: Zero / Calibration / Sensibility	$< 0.02\% \text{ FSO}/^\circ\text{C}$
Diaphragm maximum temperature	538°C / 1000°F
Zero drift due to change in process temperature (zero)	$< 3.5 \text{ bar}/100^\circ\text{C}$ / $< 28 \text{ psi}/100^\circ\text{F}$
Standard material in contact with process medium	Diaphragm: <ul style="list-style-type: none"> • Inconel 718 diaphragm with GTP coating for temperatures up to 538°C (1000°F) • 15-5 PH diaphragm with GTP coating for temperatures up to 400°C (750°F) • Hastelloy C276 diaphragm for temperatures up to 300°C (570°F) • 17-7 PH corrugated diaphragm with GTP coating for ranges below 100bar-1500psi Stem: <ul style="list-style-type: none"> • 17-4 PH
Thermocouple (model HKE2)	STD: type "J" (isolated junction)
Protection degree (with 6-pole female connector)	IP65
FSO = Full scale output (1) BFSL method (Best Fit Straight Line): includes combined effects of Non-Linearity, Hysteresis and Repeatability.	

Sense resistor Load Line



250 ohm minimum for HART communication

Sensors are manufactured in compliance with:

- EMC 2004/108/CE compatibility directive
- RoHS 2002/95/CE directive
- 2006/42/CE machinery directive

Electrical installation requirements and Conformity certificate are available on our web site: www.gefran.com

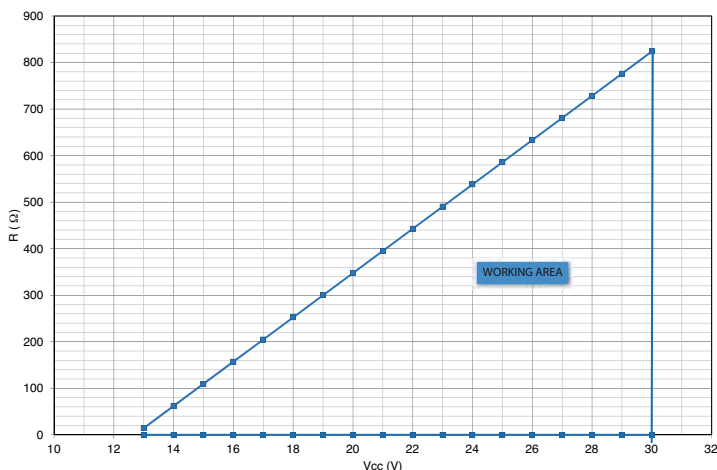
6.4 - HWX/HWX P – Technical data

Accuracy (1)	H $\pm 0.25\% \text{FSO}$ (100...1000 bar) M $\pm 0.5\% \text{FSO}$ (17...1000 bar)
Resolution	16 bit
Measurement range	0..17 to 0..1000bar 0..250 to 0..15000psi
Rangeability	3:1
Maximum overpressure (without degrading performances)	2 x FS 1.5 x FS above 500bar/7500psi
Measurement principle	Extensimetric
Power supply	13...30Vdc
Maximum current absorption	23mA
Output signal Full Scale (FSO)	20mA
Zero balance (tolerance $\pm 0.25\%$ FSO)	4mA
Calibration signal	80% FSO
Power supply polarity reverse protection	Yes
Compensated temperature range housing	0...+85°C
Operating temperature range housing	-30...+85°C
Storage temperature range housing	-40...+125°C
Thermal drift in compensated range: Zero / Calibration / Sensibility	< 0.02% FSO/°C
Diaphragm maximum temperature	315°C / 600°F
Zero drift due to change in process temperature (zero)	< 0.04 bar/°C
Standard material in contact with process medium	Diaphragm: • 17-7 PH corrugated diaphragm with GTP coating Stem: • 17-4 PH
Thermocouple (model HWX2)	STD: type "J" (isolated junction)
Protection degree (with 6-pole female connector)	IP65
FSO = Full scale output	
(1) BFSL method (Best Fit Straight Line): includes combined effects of Non-Linearity, Hysteresis and Repeatability.	

6.5 - HMX/HMX P – Technical data

Accuracy (1)	H <±0.25%FSO (100...2000 bar) M <±0.5%FSO (17...2000 bar)
Resolution	16 bit
Measurement range	0..17 to 0..2000bar 0..250 to 0..30000psi
Rangeability	3:1
Maximum overpressure (without degrading performances)	2 x FS 1.5 x FS above 1000bar/15000psi
Measurement principle	Extensimetric
Power supply	13...30Vdc
Maximum current absorption	23mA
Output signal Full Scale (FSO)	20mA
Zero balance (tolerance ± 0.25% FSO)	4mA
Calibration signal	80% FSO
Power supply polarity reverse protection	Yes
Compensated temperature range housing	0...+85°C
Operating temperature range housing	-30...+85°C
Storage temperature range housing	-40...+125°C
Thermal drift in compensated range: Zero / Calibration / Sensibility	< 0.02% FSO/°C
Diaphragm maximum temperature	400°C / 750°F
Zero drift due to change in process temperature (zero)	< 0.02 bar/°C
Standard material in contact with process medium	Diaphragm: • 15-5 PH with GTP coating • 17-7 PH corrugated diaphragm with GTP coating for ranges <100 bar (1500psi) Stem: • 17-4 PH
Thermocouple (model HMX2)	STD: type "J" (isolated junction)
Protection degree (with 6-pole female connector)	IP65
FSO = Full scale output (1) BFSL method (Best Fit Straight Line): includes combined effects of Non-Linearity, Hysteresis and Repeatability.	

Sense resistor Load Line



250 ohm minimum for HART communication

Sensors are manufactured in compliance with:

- EMC 2004/108/CE compatibility directive
- RoHS 2002/95/CE directive
- 2006/42/CE machinery directive
- ATEX 94/9/CE directive

Electrical installation requirements and Conformity certificate are available on our web site: www.gefran.com

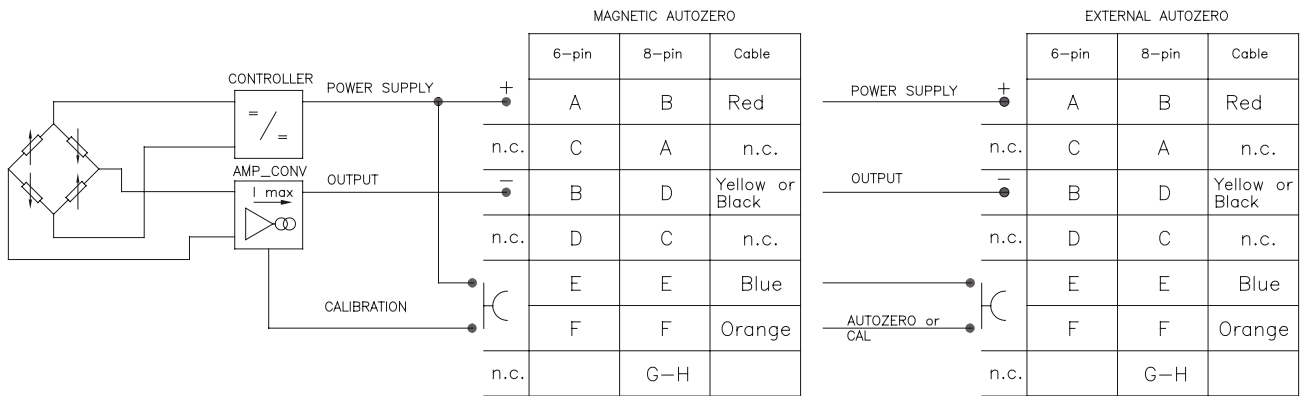
7. Electrical Connections

The interface to controller can be:

- the multi-polar connector type VEAM VP07RA10-6PT2 (code GEFTRAN CON301),
- the multi-polar connector type BENDIX PC02E-12-8P 8 poles (code GEFTRAN CON356)
- the multi-polar cable outlet with conduit output type 1/2 14-NPT as illustrated in fig 7.1,

where are also pointed out the connections (2 wires connection current amplified). In the case of relay output with retransmitted output in current (2 wires) the connections are shown in fig. 7.2.

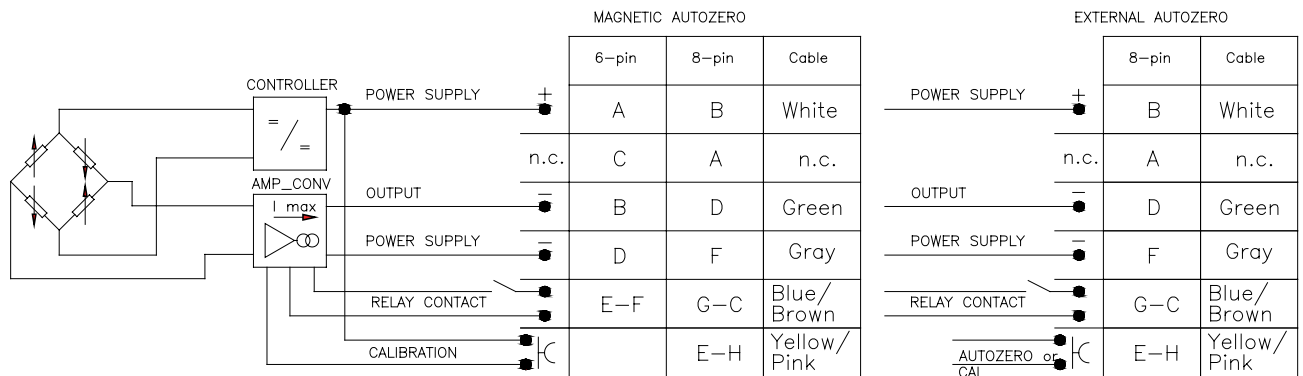
CURRENT OUTPUT (NO RELAY)



The cable shield is tied to both sides, i.e. to the sensor connector and to the controller

Fig 7.1

RELAY OUTPUT

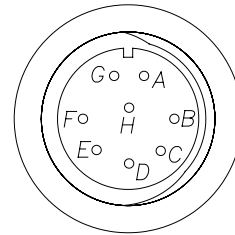
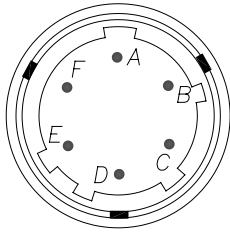


The cable shield is tied to both sides, i.e. to the sensor connector and to the controller

Fig 7.2

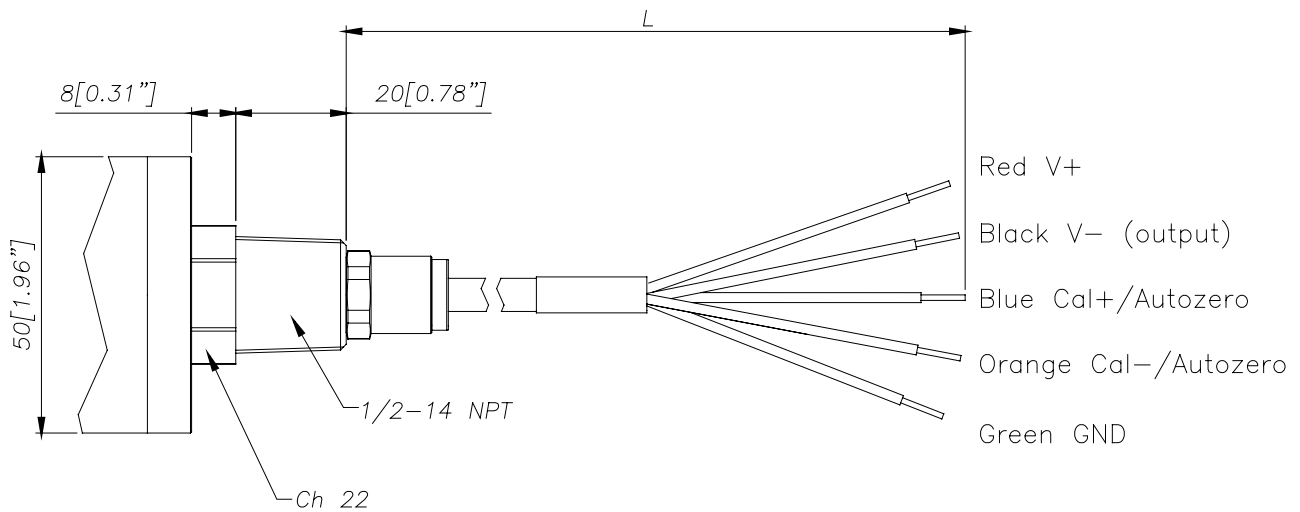
6 pin Connector VPT07RA10-6PT2 (PT02A-10-6P)

8 pin Connector (PC02E-12-8P) Bendix

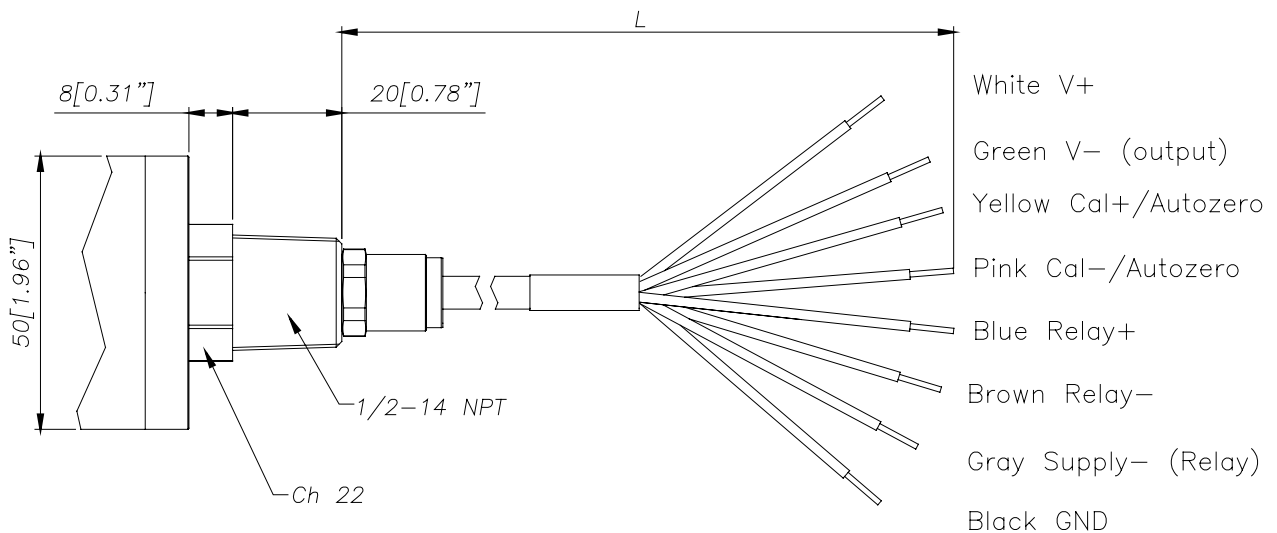


**Cable outlet (1/2 14-NPT)
Current output
L = 1 m**

Current output



Relay output - Magnetic Autozero/External Autozero



8. Command modes

The command modes must be used by the user only to make periodical recalibrations of the system in the process, and are made through:

- Magnetic sensor/Pin CAL
- HART Communication

8.1 - Using Magnetic pen and Pin CAL

The event combinations give the following functions:


1. Autozero
2. Calibration (CAL)
3. Reset autozero

1) AUTOZERO


Application mode	Limits		Result
	FSO (bar)	% adjustment	
The Autozero function is activated by : 1) positioning the magnet near the Autozero label on the shell of the sensor. 2) Short-circuiting the pin E-F (external Autozero version). The magnet has to be maintained on the Autozero position for a time within 2 to 5 seconds.	≤ 35	100	The Autozero effect will be visible after waiting 2 seconds starting from the function removal. The precision of the zero value will be defined by the accuracy class of the sensor.
	$> 35, < 100$	40	
	$> 100, < 200$	20	
	≥ 200	10	

NOTE: For all transmitters with current outputs, during the Autozero phase, output can rise up to 7 mA.


That's a short variation only visible during the Autozero phase; it won't have any effects on the final signal.



Magnetic pen




2...5 seconds



Remove

- 1) Machine pressure = 0 bar and transducer powered.
- 2) Put magnetic pen on marked spot (2...5 seconds).
- 3) Remove magnetic pen.
- 4) Ready !

 = marked spot



Warning: the periodical zero ricalibration through the Autozero function must be done at stable temperature and no pressure in the extrusion chamber.

2) CALIBRATION (CAL)

Application mode	Limits	Result
<p>Start CAL: The Calibration function is activated by short-circuiting the pin E – F for a minimum time of 1 second.</p> <p>Stop CAL: Release the E - F short-circuit.</p>	<p>The whole Zero unbalancement in comparison to the zero done by the manufacturer, has to be $\pm 20\%FS$.</p>	<p>During the Calibration phase the signal will be unbalanced to the 80% FS. The calibration effect is visible 2 seconds after short-circuiting E - F.</p> <p>The Calibration function doesn't work outside the defined limits.</p>
<p>NOTE: The Calibration function is not allowed for "external Autozero" version.</p>		

3) TOTAL RESET OF THE CALIBRATION VALUES

Application mode	Limits	Result
<p>The magnet has to be maintained on the Autozero position for a time of 20 to 25 seconds.</p>		<p>The Zero and Span of the transmitter will be recalibrated to the factory settings.</p>
<p>NOTE: In the current transducers output value, when applying the magnet can see an imbalance of the output signal up to 7mA.</p>		

During HART Handheld Communicator connection

In case of hazardous areas please refer to the handheld communicator user manual for instructions for using HART Communicator correctly.

Please consider a minimum of 250 Ohm resistance has to be present in the loop. The loop current is not measured directly by the HART Communicator.

Anywhere along the 4-20 mA wire the HART Communicator can interface with the device.

Please see the picture below (Fig 8.1).

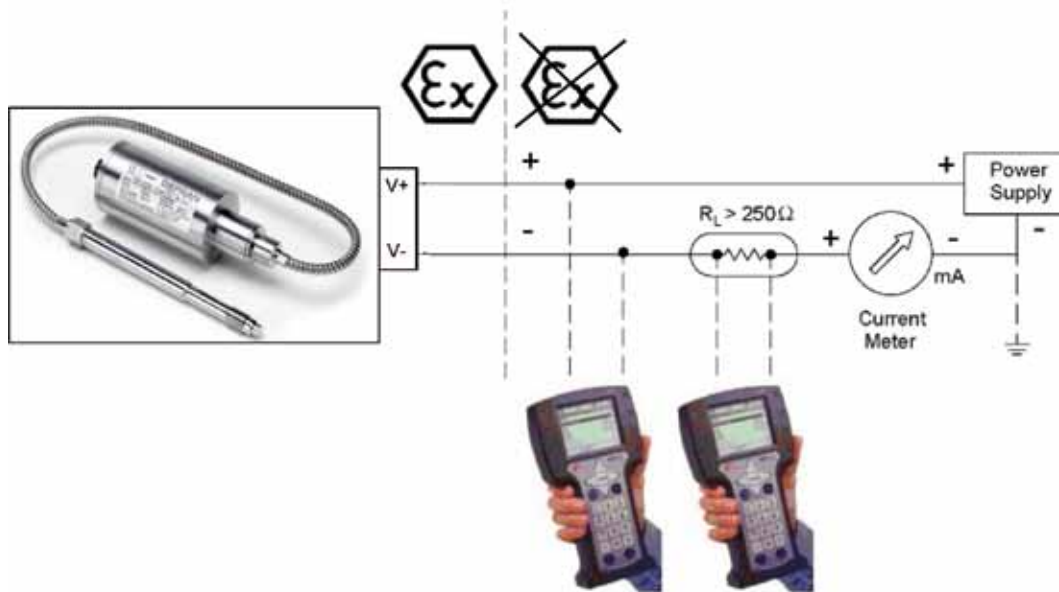


Fig. 8.1 Hart Handheld Communicator Interface

PROCEDURE

1. Connect Power Supply and HART Communicator as in the above drawing.
2. In case of commissioning on the bench with a dead weight tester or with a calibrated pressure generator, please check pressure connection is not leaking.
3. Apply power to the transmitter and switch on the HART Communicator by pressing using the ON/OFF key. The HART Communicator LCD display should show H Pressure Transmitter in the upper left corner. If this is not present, please refer to chapter 9. "Safety", Troubleshooting section.
4. Set PV Units (Fast Key 1, 3, 3) to proper pressure unit (e.g. bar, psi, kgf/cm², MPa, etc.).
5. Set Tag (Fast Key 1, 3, 1).
6. In case the transmitter output has to be re-ranged, fix the proper LRV (Fast Key 7,1) and URV (Fast Key 8, 1).

Note: URV can't be turned down below the PV Minimum span (Fast Key 1, 3, 4).

7. Fix Lower Trim with device variable trim method (Fast Key 1, 2, 6, 3, 3).
8. Check transmitter output. Zero pressure output should read 4 mA.

Attention:

The following phases are not part of a standard system setup and should be carried out by qualified personnel only.

According to this please consider the transmitter is very steady and it's been accurately calibrated in our factory using precise pressure sources. Such a task should only be carried out using these type of devices.

9. By means of calibrated pressure generator, apply the same pressure already set in URV during step 6. Output should equal 20mA. In case output isn't 20 mA, please go to step 10.
10. In order to calibrate full scale output, please apply firstly pressure equal to full scale pressure. Then you can proceed to set Upper Trim value with Device Variable Trim method (fast key 1, 2, 6, 3, 3; anyhow please consider Lower Trim value has to be done). Now output should be the same of the full scale pressure.
11. When transmitter Output Damping is needed, please set PV Damping (fast key 1, 3, 6) to the proper value.
12. Press the left arrow key until the HART Communicator is off-line. Then switch off the power. At this point the pressure transmitter can be installed in the process.

Autozero using HART communication

With the transmitter installed and connected to the measurement instrument without any pressure applied and with the system at the working temperature, once temperature itself is stable, i.e. with a possible variation of $\pm 1^{\circ}\text{C}$, Autozero can be performed. If the zero trim function is selected (fast key 1, 2, 6, 3, 1) the output will be modified to show zero pressure.

Such a task is carried out by the transmitter electronics automatically by regulating digital PV to zero while analog output will be 4 mA.

Usually an Autozero is all that is needed once installation is completed as the transmitter span has been calibrated at the factory.

In case the Full Scale Output is not correct when tested with a calibrated pressure source or dead weight tester, the transmitter span can be regulated using the Device Variable Trim method (fast key 1, 2, 6, 3, 3).

Please apply Zero Pressure firstly and follow the prompts on the handheld HART Communicator. Once completed, please apply a known calibrated full scale pressure to the transmitter and follow the prompts on the handheld HART Communicator. Once completed, the digital PV will be corrected to full scale output.

TRANSMITTER FUNCTIONS USING HART COMMUNICATION (WITH FAST KEY SEQUENCES)

Autozero (1, 2, 6, 3, 1)

Digital modification to zero: it affects both the digital and analog output. Please consider this operation is different from Lower Sensor Trim as Autozero has to be done ONLY at zero pressure.

Reset Autozero (1, 2, 6, 3, 2)

Reset Autozero correction.

Device Variable Trim (1, 2, 6, 3, 3)

Digital modification to zero and full scale: it affects both the digital and analog output.

Please consider this operation is different from Autozero as Lower Sensor Trim can be made at positive pressures, i.e. above zero.

Note: Such an operation has to be carried out with a known calibrated pressure source only.

D/A trim (1, 2, 6, 2)

This function is used to match the digital representation of the analog output with its real analog loop current.

Note: Such an operation should be carried out with a known calibrated current (mA) meter only.

Re-range

The 4mA and 20mA points, i.e. LRV and URV respectively, can be regulated in order to improve output resolution. This means a Re-range (also called "Turndown") ratio of 3:1 is possible.

Please consider accuracy data is reliant upon the Full Sensor Range without applying any turndown.

Note: In case pressure applied to the transmitter is not in the range of the 3:1 turndown ratio, the transmitter will refuse the command. Such a condition will be shown by the output not adjusting to 20mA after a few requests.

LRV Rerange (7, 1)

This function is the pressure at which the transmitter will display a 4 mA output as entered directly by the operator. LRV variation affects the transmitter span so the range is restricted by the minimum span value found in fast key (1, 3, 4, 3).

URV Rerange (8, 1)

This is the pressure at which the transmitter will display a 20 mA output as entered directly by the operator. This range is restricted by the minimum span value found in fast key (1, 3, 4, 3).

LRV Rerange by applying a known pressure (1, 2, 6, 1, 2)

Such a function is performed by applying a known pressure and starting the procedure in order to set the 4mA point according to the pressure reference value.

Note: Such an operation should be carried out with a calibrated pressure source only.

URV Rerange by applying a known pressure (1, 2, 6, 1, 2)

Such a function is performed by applying a known pressure and starting the procedure in order to set the 20mA point according to the pressure reference value.

Note: Such an operation should be carried out with a calibrated pressure source only.

Device Variable Trim reset (1, 2, 6, 4)

This function is used to restore the Zero, Lower, and Upper Trim to the factory setting values.

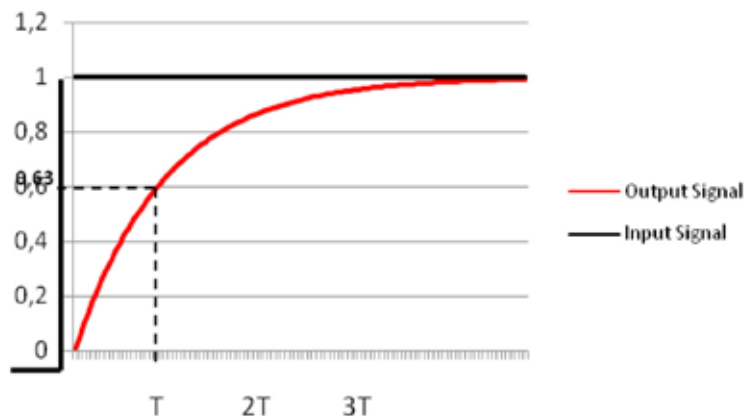
R-Cal (1, 2, 6, 5)

Activating R-Cal, the output will be fixed to the percentage of span fixed by such function. 80% is default value.

Damping (1, 3, 6)

The damping time constant affects the speed with which the output signal reacts to changes in pressure as shown in the figure on the next page.

By default damping is off, but values between 0 and 30 seconds can be fixed using the handheld communicator. Only one decimal digit is allowed.



Status (1, 2, 1, 1)

Reads Device Status.

The status is shown in 3 bytes:

Standardized Device Status:

Bit	Function
0	Reserved
1	Non volatile memory failure
2	Not used
3	Watchdog reset executed
4	Voltage conditions out of range
5	Not used
6	Not used
7	Not used

Sensor Status 1:

Bit	Function
0	Input stage error
1	Sensor overrange
2	Sensor broken
3	Micro controller overheated
4	Error parameter
5	Voltage error
6	Watchdog error
7	Cycle error

Sensor Status 2:

Bit	Function
0	Reserved
1	Sensor under range
2	Low loop voltage
3	Not used
4	Not used
5	Not used
6	Not used
7	Not used

PV Unit (1, 3, 3)

The PV unit sets the unit of measure that the pressure related parameters are transmitted. The transmitter can be configured using several engineering units such as psi, bar, MPa, and kgf/cm² and many others.

After setting a new pressure unit, all entries for pressure are converted to the new unit, using the following rules:

$$1 \text{ psi} = 0.068947 \text{ bar} = 0.0068947 \text{ MPa} = 0.070309 \text{ kgf/cm}^2$$

Tag (1, 3, 1)

An inventory "Tag" identification number may be stored in transmitter memory (8 characters maximum). Software tag is a single question mark by default.

Long Tag (1, 3, 2)

An inventory "Long Tag" string (32 byte) may be stored in transmitter memory.

Descriptor (1, 3, 5, 2)

For further transmitter description, e.g. location, function, position, etc., a 16 character text can be input.

Message (1, 3, 5, 3)

A 20 character message can be fixed and displayed on the Hart Communicator.

SV Electronics Temperature (1, 1, 4)

Electronics temperature, i.e. the temperature measured on the electronics housing, is used for reference and factory diagnostics only.

TV Snout Temperature (1, 1, 5)

Temperature measured on Transducer Snout, only for fluid-free models (HI), otherwise it equals to 0.

Poll Address (1, 4, 2, 3, 1)

Multidrop mode allows to have more than one transmitter (up to 15) on a single loop. When this value is different from zero, the transmitter is in Multidrop mode.

For instance a Multidrop mode would be a group of Hart devices wired in parallel on a single fed loop and each device being assigned a unique poll address (1-15).

The Hart communicator would prompt for the single transmitter address to communicate with and would poll that particular device only. All others would remain unvaried.

Burst configuration (1, 4, 2, 3, 4)

If the transmitter is used in Burst Mode, the sensor displays one-way digital communications from the transmitter to the host.

In this case communication speed is faster as the transmitter has not to be polled to send information. Data transmitted in Burst Mode include Pressure Variable, Analog Output value, pressure in percentage of range and Diagnostic Data.

Access to other information can still be obtained through normal Hart command.

Reset to factory default (1, 2, 4)

The transmitter factory settings (including zero and span) can be restored. The list of parameters restored is reported below:

1. Restore LRV and URV to their values at shipment.
2. Restore the Pressure Unit (bar, psi, etc.) to its value at shipment.
3. Set the Analog Output Alarm Level to Low.
4. Remove all Pressure Damping.
5. Clear all Sensor and Analog Output Trim values.
6. Clear Burst Mode.
7. Restore the Address to Zero.
8. Restore the R-Cal option to its value at shipment.

HART Communicator Fast Key Sequences

The Hart Communicator Fast Key sequences are reported in the following table. Please consider Fast Keys as shortcuts to rapidly moving through the menu tree.

Hart Communicator Fast Key Sequences

Function	Fast Key Sequence
Read PV Pressure	1, 1, 1
Read % of Full Scale	1, 1, 2
Read Analog Output	1, 1, 3
Read SV Electronics Temperature	1, 1, 4
Read TV Snout Temperature	1, 1, 5
Read Peak Pressure Value	1, 2, 1, 3
Read Peak Temperature Value	1, 2, 1, 2
Read Sensor Diagnostic Status	1, 2, 1, 1
Read PV Minimum Span	1, 3, 4
Perform Sensor Self-Test	1, 2, 2
Perform Sensor Master Reset	1, 2, 3
Perform Loop Test	1, 2, 5
Perform D/A Trim	1, 2, 6, 2
Perform Autozero	1, 2, 6, 3, 1
Reset Autozero	1, 2, 6, 3, 2
Perform Device variable trim	1, 2, 6, 3, 3
Device variable trim reset	1, 2, 6, 4
Set Rcal	1, 2, 6, 5
Set Tag	1, 3, 1
Set Long Tag	1, 3, 2
Set PV Unit	1, 3, 3
Set Lower Range Value (LRV)	1, 3, 4, 5
Set Upper Range Value (URV)	1, 3, 4, 4
Display Lower Set Limit (LSL)	1, 3, 4, 1
Display Upper Set Limit (USL)	1, 3, 4, 2
Set Date	1, 3, 5, 1
Set Descriptor	1, 3, 5, 2
Set Message	1, 3, 5, 3
Set PV Dampening	1, 3, 6
Set PV Analog Output Alarm Type	1, 4, 2, 2, 2
Set Poll Address	1, 4, 2, 3, 1
Set Burst Configuration	1, 4, 2, 3, 4

Alarm and Saturation values burst mode

No special requirements are defined for the burst mode.

Alarm and Saturation values in multidrop mode

If the device is in multidrop mode, the NAMUR levels are no longer achievable. Instead the fail safe condition is indicated by the field device status and by the additional diagnostics.

9. Safety



Installation and/or maintenance workers are responsible for installing, using and maintaining instruments according to safety regulations for the specific application.

Installation and/or maintenance workers must read this manual and scrupulously follow all of the instructions in it and in its attachments.

GEFRAN will not be liable for damage to persons and/or property, or to the product itself, if the following terms and conditions are disregarded.

In case of contact or inhalation of the fluid contained in the Melt sensor, follow the instructions on the toxicology sheet for the related substance (please refer to Annex 1 - Hg Toxicological sheet).

In particular, HK series Melt sensors use NaK as filling fluid. NaK, composed of Sodium and Potassium (22 Na / 78 K), is an eutectic alloy (i.e., a mixture of two or more substances with a lower melting point than that of its single components) with low compressibility and excellent resistance to high temperatures (up to 538°C). Above all, it is a non-toxic liquid metal that is recognized as GRAS (Generally Regarded As Safe).

This allows HK series Melt sensors to work in contact with materials used for foods (wrapping films, beverage containers, etc.) or for pharmaceuticals/cosmetics (drug containers, soaps, etc.).

In addition, it is totally compatible with the European RoHs (Restriction of Hazardous Substances) Directive with regard to electrical and electronic equipment.

If the contact diaphragm breaks due to the application, NaK tends to oxidize or to react with the contact medium (especially in the presence of water or dampness) by an exothermic reaction. This generates a spark which, due to the scarcity of material contained (from 20 to 40mm³ on the average), can last few seconds (maximum of 5).

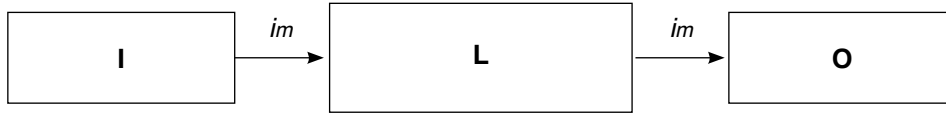
TroubleShooting:

Failure	Possible causes	Troubleshooting
The sensor doesn't signal pressure and no alarm signal is activated	<ul style="list-style-type: none"> • Pressure channel occlusion • Output stage failure • Over Pressure from 106,5% to 200% of span 	<ol style="list-style-type: none"> 1 - Sensor power-off and disassembly 2 - Double check possible pressure channel occlusion and clean it from residuals or material 3 - Do the AUTOZERO function. If the problem persists, send the sensor to factory for repair 4 - Reduce the process pressure under the F.S. value 5 - Switch on the sensor off-line and slightly press with the finger the membrane; if the output signal is stable, send it for factory reparation
The CAL function doesn't work	<ul style="list-style-type: none"> • Broken electronics • Zero signal threshold out of range • Broken connector/cut cable 	<ol style="list-style-type: none"> 1 - Stop the machine 2 - Make the TOTAL RESET OF THE CALIBRATION VALUES; if the value is outside $\pm 20\%$ FSO, disassemble the sensor, check and clean the hole, mount again the sensor and re-do the CAL function 3 - If the zero is within $\pm 20\%$ FSO, check cable and connector 4 - If the problem persists, send the sensor to factory for repair
The AUTOZERO function doesn't work	<ul style="list-style-type: none"> • Broken electronics • Zero signal outside activation range • Broken connector/cable (only external autozero version) • Wrong magnetic pen positioning 	<ol style="list-style-type: none"> 1 - Check the correct magnetic pen positioning on the autozero logo 2 - If the problem persists, stop the machine 3 - Make the TOTAL RESET OF THE CALIBRATION VALUES; if the value is outside $\pm 40\%$ FSO, disassemble the sensor, check and clean the hole, mount again the sensor and re-do the AUTOZERO function 4 - If the zero is within $\pm 40\%$ FSO, check cable and connector 5 - If the problem persists, send the sensor to factory for repair
Transmitter not communicating with HART communicator	<ul style="list-style-type: none"> • Broken electronics • HART communicator wrongly connected 	<ol style="list-style-type: none"> 1 -Check Power Supply 2 -Verify HART communicator connection 3 -Verify 250 ohm series resistor
HART communicator missing HW/HM/HK series features	<ul style="list-style-type: none"> • Broken electronics • HART communicator wrongly connected • HART communicator database (DD) not updated 	<ol style="list-style-type: none"> 1 -Check Power Supply 2 -Verify HART communicator connection 3 -Verify 250 ohm series resistor 4 -Verify HART communicator database

10. SAFETY MANUAL FOR PERFORMANCE LEVEL 'C' SENSORS (Following EN 13849-1)

Designated category and fail exclusions

The designated category to which are limited the use of safety related parts is Category 1.



Legend:

I	Input device (transducer)
L	Logic solver
O	Output device (actuator)
im	Connections

The safety function of the transducer is the correct transduction of the pressure in the extrusion chamber in order to detect overpressures and the overcoming of a fixed safety pressure threshold. The transduction is correct when it's within the specifications written in the *datasheet* and in the current operation manual.

In the evaluation three different failures have been excluded:

- Wearing/corrosion of the mechanical parts at the process front end [13849-2:2005 prospect A.4]
- Break of the mechanical parts at the process front end [13849-2:2005 prospect A.4]
- Plastic deformation due to excessive loads of the mechanical parts at the process front end [13849-2:2005 prospect A.4]

Limitations and maintenance

To maintain the device in the designated category it must be used only by skilled people and strictly following the present safety instructions and the operating manual regarding the mechanical installation, the electrical connection, the maximum rated and environmental conditions.

The periodical maintenance activities to be done in order to preserve the device in the designated category are:

- Visual inspection of the process front end membrane and of the pitch of the thread, in order to evaluate abnormal abrasion or wearing due to incorrect mounting lasting in time.
Every 1 year.
- Installation hole inspection: correct profile and dimension and absence of material residuals or occlusions of the pressure channel. Every 2 years.
- At any new installation or re-installation use anti-seize compound paste in order to avoid grip of the thread.

Effect on the safety function of the performance variations

The limit of performance degradation in order to avoid the loss of the security function is $\pm 5\%$ of the span at room temperature.

SRP/CS interface and protection devices

The interface to controller can be:

- the multi-polar connector type VEAM VP07RA10-6PT2 (code GEFran CON301),
- the multi-polar connector type BENDIX PC02E-12-8P 8 poles (CON356)
- the multi-polar cable outlet with conduit output type ½ 14-NPT as illustrated in fig.7.1, where are also pointed out the connections (2 wires connection current amplified).

In the case of relay output with retransmitted output in current (2 wires) the connections are shown in fig. 7.2.

Response time

The response time at a fail condition is 400 ms.

Environmental and operational limits

In order to maintain the device in the designated category it must work within the following limits (Tab.10.1):

Limit	Output
Overpressure without degradation	2 x FS 1,5 x FS over 500 bar (Oil filling) 1,5 x FS over 700 bar (NaK filling) 1,5 x FS over 1000 bar (Hg filling)
Supply	Load diagram
Process fluid temperature: HW series HM series HK series	23..315 °C 23..400 °C 23..538 °C
Operating electronic temperature	-30..+85 °C
Storage temperature range	-40..+125 °C
Dust protection	IP 6X (EN 60529)
Water protection	IP X5 (EN 60529)
Vibrational levels	EN 60068-2-6 (5g, 10..500 Hz)
EMC– Emissions	EN 61326-1 EN 61326-2-3
EMC – Immunity	EN 61326-1 EN 61326-2-3

Tab.10.1 - Environmental and operational limits

Suspension of the safety function

In H series transducer it's not allowed any suspension or bypass of the safety function.

Indications and alarms

The H series transducers can have two different electrical outputs: analog amplified (4..20 mA) and/or a relay output.

In fig. 10.1 are shown the significant values of the outputs in case of analog signal:

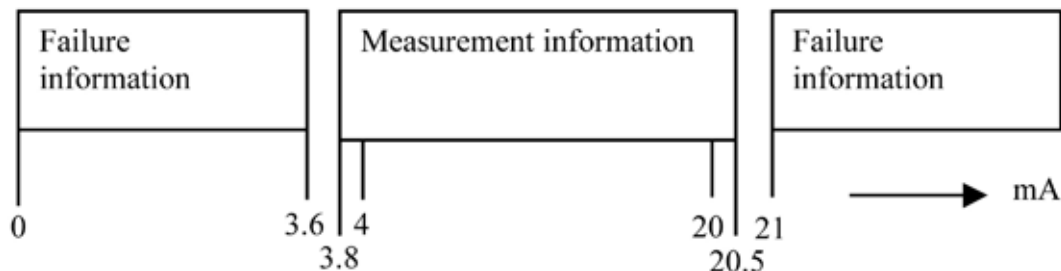


Fig. 10.1 - Output levels

In case of relay output, the relay will be closed only if:

1. There are not fails or diagnostic errors
2. The detected pressure is below the threshold

In all the others situations, the relay is normally open.

In table 10.2 are pointed out the failures, their effects on the output signal, on the relay output and how to reset them:

Failure	Analog output	Relay output	How to reset
Supply wire broken	LOW	OPEN	Remove problem
Sensor unconnected	LOW	OPEN	Remove problem
Supply system broken	LOW	OPEN	Remove problem
Broken primary element	HIGH	OPEN	Remove problem
* Pressure over 200 % of the span vs factory zero @ RT	HIGH	OPEN	Switch off and on
Overvoltage	LOW	OPEN	Switch off and on
Undervoltage	LOW	OPEN	Switch off and on
Voltage variations	LOW	OPEN	Switch off and on
Program sequence error	LOW	OPEN	Switch off and on
Overtemperature on electronics	LOW	OPEN	Switch off and on
Primary or front end stage error	HIGH	OPEN	Switch off and on

Tab. 10.2 - Failures, effect on electrical outputs and reset * See Fig. 10.1 - Output levels

In the H series melt sensors, no hardware feedback have been implemented.

Alarm and Saturation values burst mode

No special requirements are defined for the burst mode.

Alarm and Saturation values in multidrop mode

If the device is in multidrop mode, the NAMUR levels are no longer achievable. Instead the fail safe condition is indicated by the field device status and by the additional diagnostics.

Maintenance and troubleshooting

In order to assure the correct execution of the safety function, it's necessary to make the following maintenance activities:

Visual inspection of the process front end membrane and of the pitch of the thread

The activity evaluates abnormal abrasion or wearing due to uncorrect mounting or by aggressive process materials. The thread pitch inspection must assure the sensor integrity to avoid fluid outcoming from the extrusion chamber or poor sealing of the sensor mounted in its side.

Periodicity: every 1 year.

Installation hole check

The activity evaluates the hole profile and dimensions in order to avoid failures or sensor bad functioning.

Periodicity: every 2 years.

Sensor calibration check

The activity evaluates the sensor transduction characteristic curve. This is implemented by applying known pressure and checking the output detected values.

Periodicity: every 2 years.

Pressure channel occlusion check

The activity evaluates the presence of eventual occlusions of the pressure channel which will lead to improper functioning.

Periodicity: it is good practice to make the control whenever any variation of the operating conditions occurs, i.e. variation related to the material and/or the temperature, which can cause pressure channel occlusions.

Command modes check

The activity evaluates the proper functioning of the command modes and their effects on the sensor. This is implemented by feeding the sensor out of the line and performing the following operations: RESET AUTOZERO, AUTOZERO, CALIBRATION.

Periodicity: every 2 years.

In the tab. 10.3 the most common failures and troubleshooting are pointed out:

Failure	Possible causes	Troubleshooting
The sensor doesn't signal pressure and no alarm signal is activated	<ul style="list-style-type: none"> • Pressure channel occlusion • Output stage failure • Over Pressure from 106,5% to 200% of span 	<ol style="list-style-type: none"> 1 - Sensor power-off and disassembly 2 - Double check possible pressure channel occlusion and clean it from residuals or material 3 - Do the AUTOZERO function. If the problem persists, send the sensor to factory for repair 4 - Reduce the process pressure under the F.S. value 5 - Switch on the sensor off-line and slightly press with the finger the membrane; if the output signal is stable, send it for factory reparation
The sensor alarm signal is "HIGH"	<ul style="list-style-type: none"> • Broken primary element • Input stage error • Detected pressure value over threshold (2 x FS) 	<ol style="list-style-type: none"> 1 - Sensor power-off and disassembly 2 - If the problem persists, send the sensor to factory for repair
The sensor alarm signal is "LOW"	<ul style="list-style-type: none"> • Cut cable / broken connector • Device not connected • Broken supply • Overvoltage • Undervoltage • Floating power supply • Program sequence error • Overtemperature on electronics • Pin detachment 	<ol style="list-style-type: none"> 1 - Sensor power-off and disassembly 2 - Check the correct connection of power supply 3 - Check the electrical continuity between the female plug and the power supply 4 - Check if the power supply level is within specifications 5 - Check voltage supply stability 6 - Check possible housing overtemperatures Remove the reasons, wait till cooling down and switch on the sensor 7 - If the problem persists, send the sensor to factory for repair 8 - If the sensor works fine, mount the sensor in the seat following instruction manual
The CAL function doesn't work	<ul style="list-style-type: none"> • Broken electronics • Zero signal threshold out of range • Broken connector/cut cable 	<ol style="list-style-type: none"> 1 - Stop the machine 2 - Make the TOTAL RESET OF THE CALIBRATION VALUES; if the value is outside $\pm 20\%$ FSO, disassemble the sensor, check and clean the hole, mount again the sensor and re-do the CAL function 3 - If the zero is within $\pm 20\%$ FSO, check cable and connector 4 - If the problem persists, send the sensor to factory for repair
The AUTOZERO function doesn't work	<ul style="list-style-type: none"> • Broken electronics • Zero signal outside activation range • Broken connector/cable (only external autozero version) • Wrong magnetic pen positioning 	<ol style="list-style-type: none"> 1 - Check the correct magnetic pen positioning on the autozero logo 2 - If the problem persists, stop the machine 3 - Make the TOTAL RESET OF THE CALIBRATION VALUES; if the value is outside $\pm 40\%$ FSO, disassemble the sensor, check and clean the hole, mount again the sensor and re-do the AUTOZERO function 4 - If the zero is within $\pm 40\%$ FSO, check cable and connector 5 - If the problem persists, send the sensor to factory for repair
Transmitter not communicating with HART communicator	<ul style="list-style-type: none"> • Broken electronics • HART communicator wrongly connected 	<ol style="list-style-type: none"> 4. Check Power Supply 5. Verify HART communicator connection 6. Verify 250 ohm series resistor
HART communicator missing HW/HM/HK series features	<ul style="list-style-type: none"> • Broken electronics • HART communicator wrongly connected • HART communicator database (DD) not updated 	<ol style="list-style-type: none"> 5. Check Power Supply 6. Verify HART communicator connection 7. Verify 250 ohm series resistor 8. Verify HART communicator database

Tab. 10.3 Most common failures and troubleshooting

Application for use relevant to the designated category

The HWE P, HWX P, HME P, HMX P, and HKE P series transducer can be used in a pressure sensing chain in order to stop any pressure generating system if a pressure threshold is overcome. The threshold is only set in factory and can't be changed by the user.

In diagram "A" (Fig. 10.4) is shown a possible application: the sensor detects the pressure and gives in output an analog electrical value proportional to the pressure itself; SRP/CS compares the signal with its internal alarm threshold: if the threshold is exceeded the SRP/CS will stop the pressure generation systems.

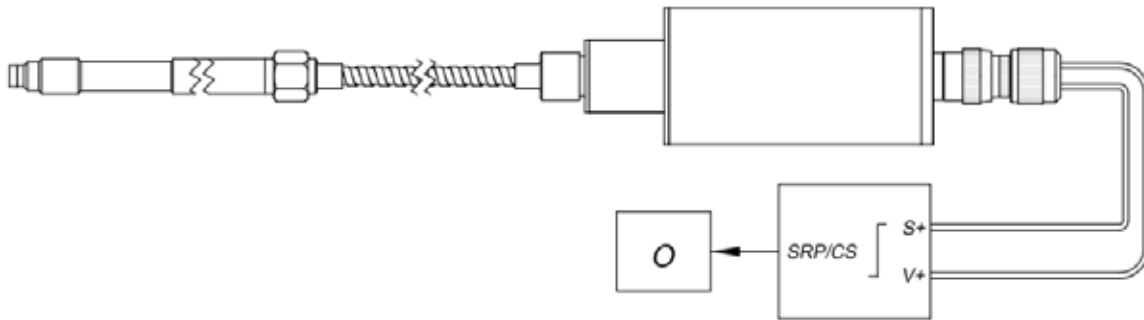


Fig. 10.4 - Application diagram A - Current 2-wires output

In diagram "B" (Fig. 10.5) is shown a second possible configuration with the relay output: the sensor detects the pressure and compares it with a fixed threshold set in the factory and not changeable by the user; if the threshold is exceeded, the relay will change to normally open; the relay output is interfaced with an enable input of the pressure generating system motor drive; when the threshold is exceeded, the open state of the relay stops the pressure generating systems.

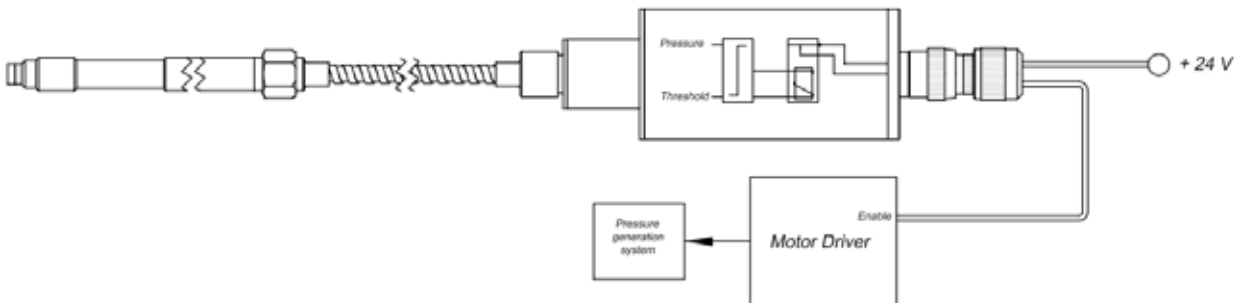


Fig. 10.5 - Application diagram B – Relay Output (Not for "X" versions)

Category and performance level

The device installed, used, operated and kept following the prescription of the present safety manual and in the operating manual are compliant with:

EN ISO 13849-1: 2006 Category 1 PL c

10.1 NE21 and NE43 compatibility specifications (only for PL'c' versions)

The HWE P, HWX P, HME P, HMX P, HKE P Performance Level 'c' series are fully compatible with the NE21 and NE43 Namur recommendations (refer to tab. 10.4).

Failure	HWE P, HWX P, HME P, HMX P, HKE P
Broken power cable	Electrical output ≤ 3.6 mA
Sensor not connected	Electrical output ≤ 3.6 mA
Broken power supply	Electrical output ≤ 3.6 mA
Broken primary element	Electrical output ≥ 21 mA
Pressure over 200% of the zero-relative span factory @ RT	Electrical output ≥ 21 mA
Overvoltage	Electrical output ≤ 3.6 mA (*)
Undervoltage	Electrical output ≤ 3.6 mA (*)
Voltage variations	Electrical output ≤ 3.6 mA (*)
Error in the program sequence	Electrical output ≤ 3.6 mA (*)
Overheating of the electronics	Electrical output ≤ 3.6 mA (*)
Error on primary or first amplification stage	Electrical output ≥ 21 mA

Tab.10.4 - NAMUR NE21 and NE43: Analog output value.

(*) In such conditions the Alarm Type can be programmed via HART at ≥ 21 mA.

11. SAFETY NOTES FOR APPLICATIONS IN POTENTIALLY EXPLOSIVE ATMOSPHERES: HWX AND HMX VERSIONS

The HWX / HWX P and HMX / HMX P is designed and manufactured according to ATEX 94/9/CE directive for explosive gas atmospheres Zone 0 under safety class II, 1G, 1D

- Gas: Ex ia IIC T6/T5/T4 Ga (T6, Ta = -20 to + 60°C; T5, Ta = -20 to + 75°C; T4, Ta = -20 to + 85°C).
- Dust: EX ia IIIC T85 °C, T100 °C, T135 °C, Da (T6, Ta = -20 to + 60°C; T5, Ta = -20 to + 75°C; T4, Ta = -20 to + 85°C)

According to **EN 60079-0: 2009, EN60079-11:2012 EN 60079-26:2007**

Take care that the instruments in the loop are connected in accordance with intrinsically safe installation guidelines before inserting an HART communicator in the loop in a hazardous area.

Operate only with an intrinsically safe, EMC compliant power supply with the following specifications when employing the pressure 4-20 mA output:

- Supply Voltage max. $U_O = 30 \text{ V}$
- DC Current Output max. $I_O = 100 \text{ mA}$
- Power max. $P_O = 0.750 \text{ W}$

The specified values of L_O and C_O for the power supply need to be greater than $C_i + C_{\text{cable}}$ and $L_i + L_{\text{cable}}$.

- Internal Inductance $L_i = 17 \mu\text{H}$
- Internal Capacitance $C_i = 10 \text{ nF}$

For the models with external Autozero/CAL, the function must be activated only by short circuit on the cable conductors or on cable clamp. No other active electronics circuit is allowed.

Please avoid any dust accumulation on the transmitter.

Installation and maintenance must be held in accordance with European installation and maintenance guidelines for explosive gas atmospheres, such as:

- EN 60079-14
- EN60079-17
- Other national guidelines/standard

12. TRANSPORT, STORAGE AND DISPOSAL

Melt sensors are made with "Filled" technology and contain a pressure transmission fluid. Low-compression fluids such as diathermic oil (FDA and USDA approved), NaK (GRAS substance) for food or medical applications, or mercury are used.

Fluid volumes depend on the mechanical structure of the sensor, and leaks can occur only if the contact diaphragm is broken. Any other type of break will not cause emission to the environment.

Never transport store the sensors without the protective cap and without the original packaging. In particular, as mercury is a hazardous material it must be disposed of in compliance with applicable law.

Gefran accepts its Melt sensors (defective or damaged by use) for disposal.

13. ANNEXES

Annex 1 - Hg TOXICOLOGICAL SHEET

1 - ELEMENTS IDENTIFYING SUBSTANCE OR PREPARATION AND COMPANY	Product data	
	• Molecular formula:	Hg
	• Structura formula:	Hg
	• Commercial name:	Mercury
	• SDS N°:	CH0349
	• Information supplied by:	E.S. & Q. A
2 - COMPOSITION/ INFORMATION ON INGREDIENTS	• Chemical characteristics:	CAS number 7439-97-6 mercury
	• Identification number/s:	EINECS number: 2311067 CEE number: 080-001-00-0
3 - INDICATION OF HAZARDS	• Classification of hazard:	T Toxic N Hazardous for the environment
	• Indications of specific hazards for humans and the environment:	R 23 Toxic if inhaled R 33 Danger of cumulative effects R 50/53 Highly toxic for sea life, may cause long-term negative effects on the aquatic environment.
4 - FIRST AID	• General instructions:	Immediately remove clothing contaminated with product. Remove protective mask only after removing contaminated clothing. In case of irregular breathing or breathing failure, apply artificial respiration.
	• Inhalation:	Take the victim to a well-ventilated area and administer oxygen. CALL A DOCTOR. If the victim has fainted, try to keep him in a stable position on his side as you move him.
	• Contact with skin:	Wash immediately with soap and water, rinse thoroughly.
	• Contact with eyes:	Wash with running water for several minutes, keeping the eyelids wide open. CALL A DOCTOR.
	• Ingestion:	Call a doctor if victim feels ill.
5 - FIRE PREVENTION MEASURES	• Approved fire extinguishers:	CO ₂ , powder or nebulized water. Extinguish large fires with nebulized water or alcohol-resistant foam.
	• Specific risks due to the substances, its combustion products, or released gases:	If heated or in case of fire, the product may generate toxic fumes. Fumes contain metal oxides.
	• Specific means of protection:	Wear an all-service mask in closed rooms.
6 - MEASURES IN CASE OF ACCIDENTAL SPILL	• Measures to protect people:	In case of vapors/dust/aerosol, use respiratory protections
	• Measures to protect environment:	In case of infiltration in bodies of water or sewers, notify the competent authorities. Prevent filtration in sewers/surface waters/groundwater.
	• Cleaning/absorption methods:	Aspirate liquid in suitable container and absorb the rest with porous material (tripoli, acid binder, universal binder, etc.) Dispose of contaminated material in conformity to point 13. Ventilate the area completely.

7 - HANDLING AND STORAGE	Handling • Instructions for safe handling:	Keep containers hermetically sealed. Good ventilation/aspiration in workplaces. Open and handle containers with care. Avoid formation of aerosol.
	• Instructions for preventing fires and explosions:	Keep all-service mask handy
	Storage • Requirements for warehouses and containers:	Provide floor tank without discharge.
	• Instructions for mixed storage:	Non necessary.
	• Additional instructions regarding storage conditions:	Keep containers hermetically sealed.
	Storage class: • Class VbF (ordinance regarding combustible substances):	Not applicable
8 - EXPOSURE CONTROL/PERSONAL PROTECTION	Additional instructions regarding structure of technical systems:	No additional data. See point 7
	• Component whose limits must be kept under control in workplaces:	Mercury TLV: 0,025 mg/m ³
	• Additional instructions:	Lists valid on the date of compilation were used as basis
	Means of personal protection • General rules for protection and hygiene at the workplace:	Keep away from food, drink, and forage. Immediately remove contaminated clothing. Wash hands before taking a break and at end of shift. Store protective gear separately.
	• Protective mask:	Use the mask in case of brief, slight exposure; for heavier and longer exposure, wear a self-contained breathing apparatus. Use all-service mask only in case of formation of aerosol or mist.
	• Protective gloves:	Neoprene gloves.
	• Goggles:	Wear goggles while pouring.
9 - PHYSICAL AND CHEMICAL PROPERTIES	• Molecular weight:	200,59 g
	• Form:	Liquid
	• Color:	Silver
	• Odor:	None
	Unit value/Method • Change of state	
	• Melting temperature:	-38,86°C
	• Boiling temperature:	356,73°C
	• Flash point:	not applicable
	• Danger of explosion:	product not explosive
	• Vapor voltage:	a 20°C 0,00163 hPa
	• Density:	a 20°C 13,54 g/cm ³
	• Solubility in/Mixability with water:	slightly and/or not mixable
• Organic solvents:	insoluble	
10 - STABILITY AND REACTIVITY	• Thermal decomposition/conditions to be avoided:	the product does not decompose if correctly used.
	• Substances to be avoided:	Acetylene
	• Hazardous reactions:	Reactions with peroxides and other substances forming radicals. Decomposition of hydrogen peroxide.
	• Hazardous products of decomposition:	No hazardous products of decomposition are known

11 - TOXICOLOGICAL INFORMATION	• Acute toxicity:	Significant LD/LC50 values for classification: Mercury. For inhalation: LCLo: (30h) 0,03 mg/l (rabbit)
	• Primary irritability:	- On the skin: has no irritating effects. - In the eyes: not particularly irritating. - Sensitization: no sensitizing effects are known
	• Subacute to chronic toxicity:	Cumulative effects in case of repeated exposure.
12 - ECOLOGICAL INFORMATION	• Behavior in ecological context	-
	• Mobility and potential of bioaccumulation:	possible biomethylation
	• Toxic effects on environment:	Aquatic toxicity: Mercury LC50 aq.: (Hg++ 96h) 0,06 mg/l (daphnia)
	• Additional information:	Hazard for class 3 waters (WGK German) (Classif. on lists): very hazardous. Do not put in groundwater, rivers, or sewers, even in small doses. Hazard for drinking water even in case of minimum leaks of product in subsoil. Toxic for fish and plankton.
13 - INFORMATION ON DISPOSAL	Product • Recommendations:	Do not dispose of the product together with domestic waste. Do not put in sewers. Recycle if possible; otherwise, contact a company authorized to dispose of industrial waste.
	• Soiled packing: • Recommendations:	Dispose of in conformity to government regulations. Wash with water to be purified and disposed of.
14 - INFORMATION ON TRANSPORT	Road/rail transport ADR/RID (beyond border) • ADR/RID-GGVS/E Class:	8 corrosive substances
	• Number/letter:	66c
	• Kemler number:	80
	• ONU number:	2809
	• Description of brand:	2809 Mercury
	Sea transport IMDG • IMDG Class:	8
	• Page:	8191
	• ONU number:	2809
	• Packing group:	III
	• EMS number:	8-12
	• MFAG:	-
	• Exact technical name:	Mercury
	Air transport ICAO-TI and IATA-DGR • ICAO/IATA Class:	8
	• ONU/ID number:	2809
	• Packing group:	III
	• Exact technical name:	Mercury

15 - INFORMATION ON REGULATIONS	• Classification according to CE directives:	The product is classified and coded in conformity to CE directives/rules on hazardous products / dir. 67/548 25° update / dir. 88/379 4°update
	• Label code for product hazardousness:	T Toxic N Hazardous for the environment
	• Nature of specific risks (R phrases):	23 Toxic if inhaled 33 Danger of cumulative effects 50/53 Highly toxic for aquatic organisms, may cause long-term negative effects on the aquatic environment.
	• Recommendations of prudence (S phrases):	7 Keep container completely closed 45 In case of accident or malaise, call a doctor immediately (if possible, show him/her the label) 60 This material and its container must be disposed of as hazardous waste 61 Dispose of properly. See the special instructions / data sheet on safety
	National regulations: • Classification according to VbF:	Not applicable
	National regulations: • Class of hazardousness for waters:	Hazard for class 3 waters (WGK3) (Classif. on lists): very hazardous. Additional regulations, limitations and prohibitive decrees: Maximum concentration in waste water (DPR 319/76 - Merli Law): 0,005 mg/l
16 - OTHER INFORMATION	- The above data are based on our current knowledge. Nevertheless, they do not represent any guarantee of product characteristics and are not the basis for any legal and/or contractual relationship.	
	• Data sheet issued by:	E.S. & Q. A.
	• Contact:	Emergency Ph. 0039 2 95231
	• Bibliographic references: ECDIN (Environmental Chem. Data and Information Network) IUCLID (International Uniform Chemical Information Database) NIOSH – Registri of Toxic Effects of Chemical Substances Roth –Wassergefährdende Stoffe Verschueren – Handbook of Environmental Data on Organic Chemicals ChemDAT – Safety Data Sheets from E.Merck on CD-ROM Merian – Metals and their compounds in the environment.	

GEFRAN

GEFRAN spa

via Sebina, 74 - 25050 Provaglio d'Iseo (BS) - ITALIA - Tel. +39 0309888.1 - Fax +39 0309839063

www.gefran.com - www.gefranonline.com